

Vehicle Dock for M101 Series

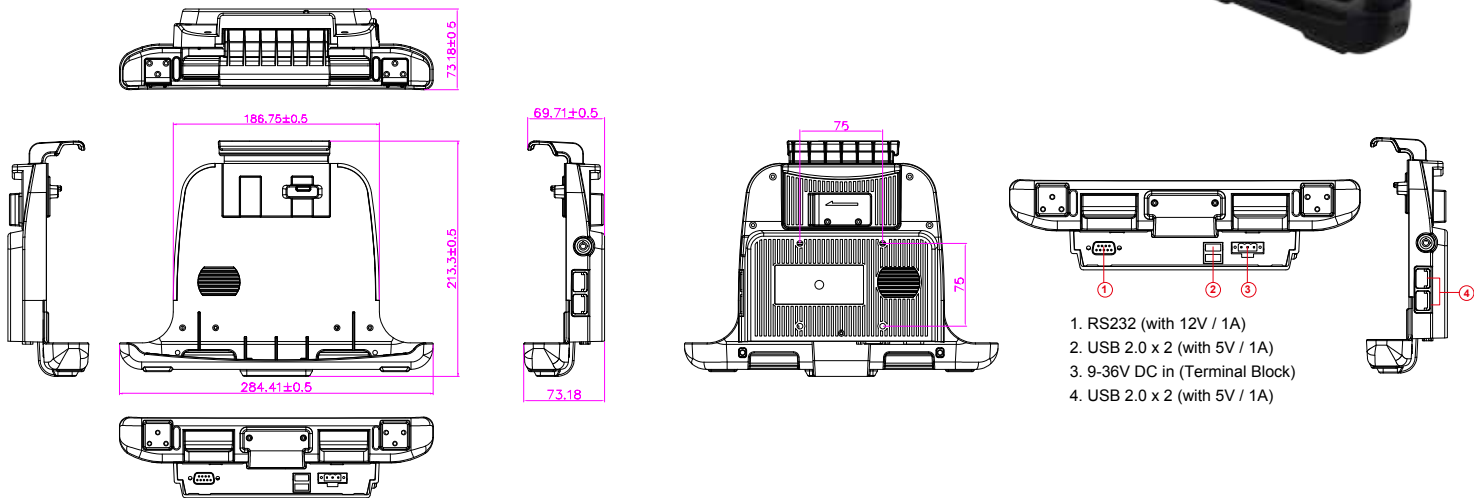
VD-M101M8

Product Features:

- Hold the tablet stably on moving vehicle
- Anti-theft design with key lockable cradle
- Wide power voltage input (9~36V DC-in)
- IP52 design (Rain proof)
- VESA standard for various standard fixtures



Mechanical Drawing



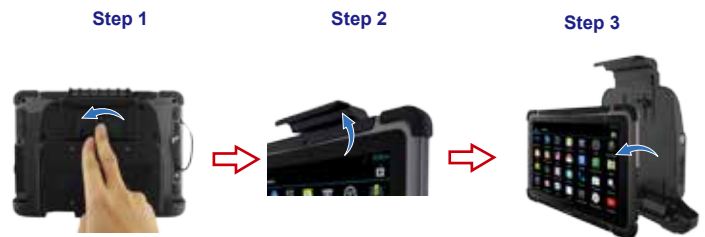
One hand docking :



1 Insert the Tablet PC into the docking

2. Push down the hook, the lock will lock automatically

One hand undocking :



1. Slide the latch to open the hook

2. Remove the Tablet from docking

Specification

Dimension		284.41 x 213.3 x 73.18 mm
Power Input		9~36V DC In
I/O Support	Bottom	RS232 x 1 USB 2.0 x 2 3-Pin Terminal Block x 1 (DC 9-36V in)
	Side	USB 2.0 x 2
Mounting		75 x 75mm VESA Mount
Vibration		MIL STD. 810G, 5 ~ 500Hz, 2.24G