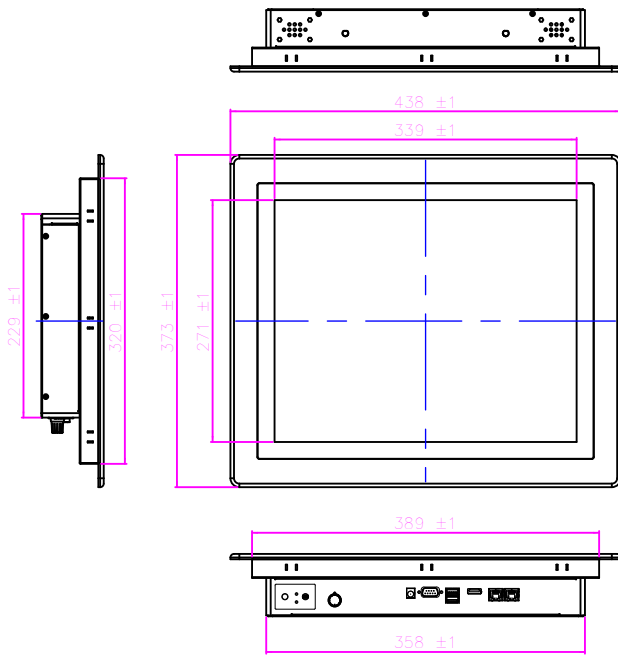


R17IK3S-PPM1 17" P-CAP Panel PC (Intel® 7th Generation Core™ i5 Platform)

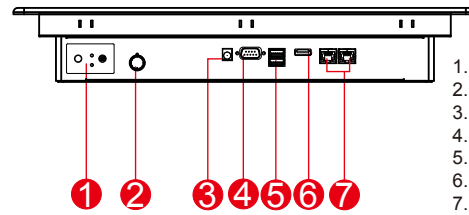
Mechanical Design



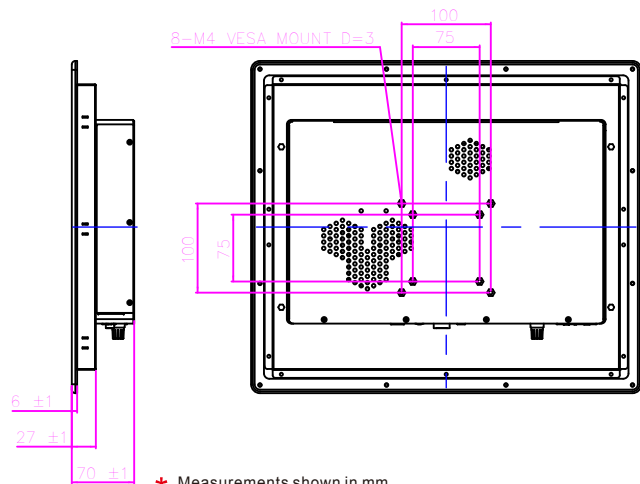
Real Flat Panel Mount (IP65 front side)



Fully Integrated I/O



1. OSD Membrane
2. Dimming Knob
3. 12V DC-in
4. RS232/422/485
5. 2 x USB
6. HDMI
7. 2 x LAN



- * Measurements shown in mm
- * Tolerance of all dimensions is shown as follow 0~30 mm ± 0.1 mm, 30~50 mm ± 0.15 mm, 50~120 mm ± 0.2 mm, above 120 mm ± 0.25 mm
- * Note: this is a simplified drawing and some components are not marked in detail.
- * Please contact our sales representative if you need further product information.

Specifications

System :

- Processor : Intel® Core i5-7200U 2.5GHz (turbo to 3.1GHz)
- BIOS : Insyde BIOS
- System Chipset : Intel® SoC Integrated
- System Memory : 4GB DDR4-2133 SO-DIMM (Max 16GB)
- Storage : 64GB M.2 B Key SATA III (Options up to 512GB)
- Graphic Chipset : Intel® HD Graphics 620
- LAN : Intel® Gigabit-LAN Controller I211AT + PHY I219LM
- Audio : Realtek ALC283 HD Audio Codec

Input / Output :

- Serial Ports : 1 x RS232(Optional 422/485)
1 x RS232
- USB Ports : 2 x USB 3.0
- Ethernet : 2 x RJ 45-10/100/1000 Mbps
- HDMI : 1 x HDMI 1.4

Power Specifications :

- Power Input : 12V DC IN
- Power Consumption : 80W (Max backlight & High CPU load)

Accessories

- External Adapter : 110~230V Ac-in Power Adapter

Panel Spec

- Size/Type : 17" TFT
- Resolution : 1280 x 1024
- Brightness : 300 nits (Optional 400 nits)
- Contrast Ratio : 1000 : 1(typ.)
- Viewing Angle : -85~85(H); -80~80(V)
- Max. Colors : 16.7M (8 bits/colors)
- Touch Screen : Projected Capacitive multi-touch

Mechanical Specification :

- Cooling System : Fanless Design
- Mounting : VESA Mount (75x75mm,100x100mm)
- Dimension (W x H x D) : 438 x 373 x 70 (mm)
- Cut out Dimension : 395 x 325 (mm)

Environment Considerations :

- Operating Temperature : 0 deg.C to 50deg.C
- Operating Humidity : 30% to 90% (non condensing)

OS Support

- Windows 10 IoT Enterprise

