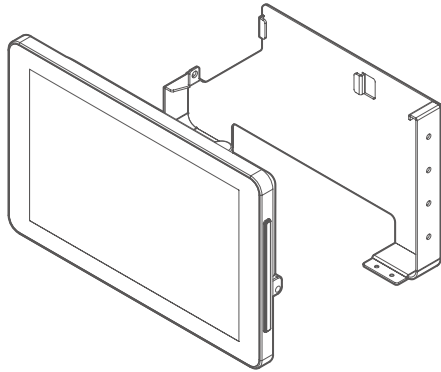


Glass Wall Mount Kit (For 10.1" S-Series HMI)



Right Side

Model Name: PCGM-V2R

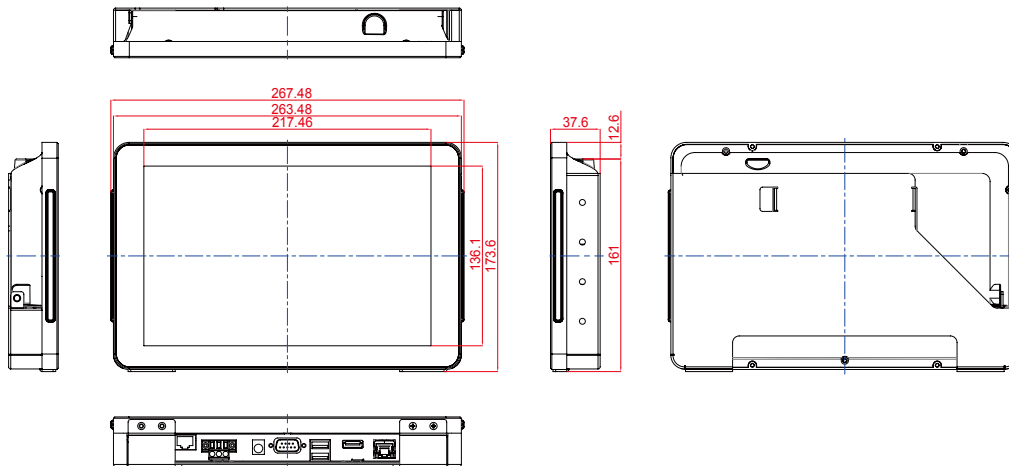
Part Number: 99KN00A00010

Left Side

Model Name: PCGM-V2L

Part Number: 99KN00A00011

Mechanical Drawing:



How to use Glass Wall Mount Kit:

