

# VESA Desk Stand

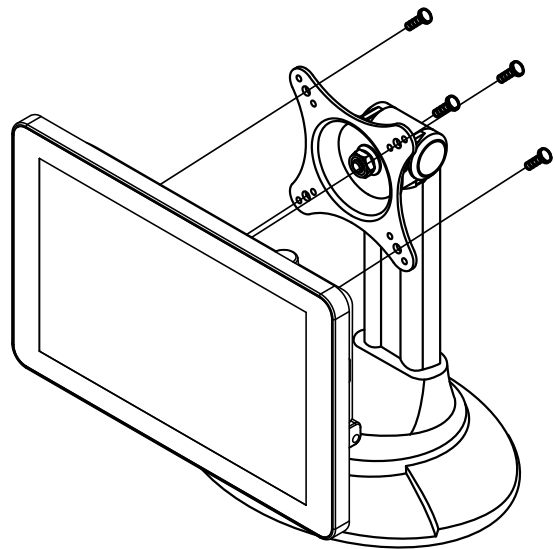
(for 7", 10.1" and 15" S-Series HMI)



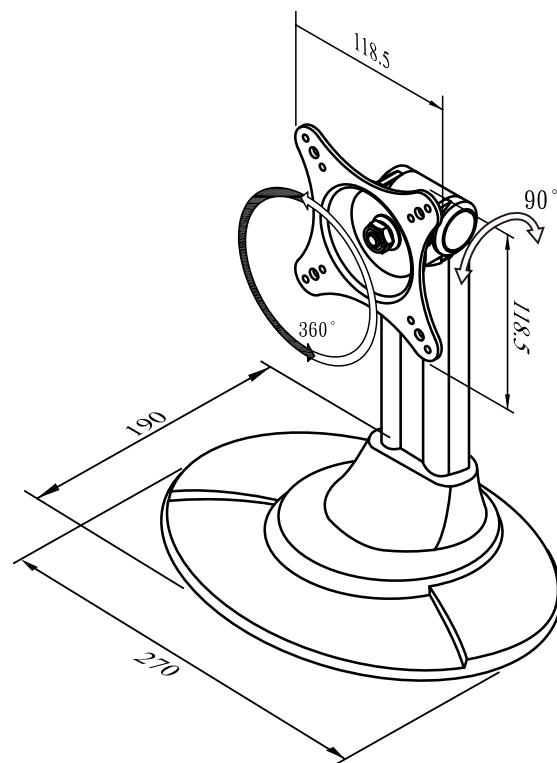
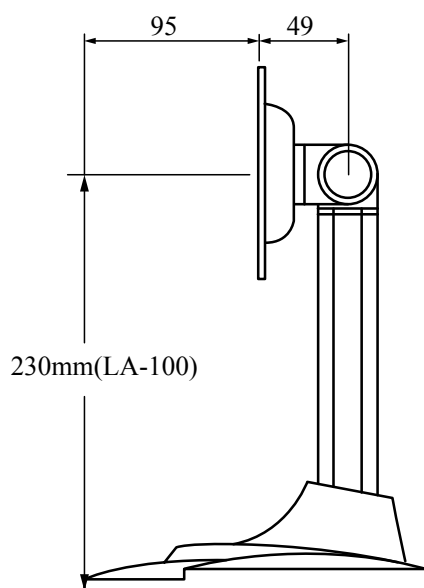
Model Name: LA-100  
Part Number: 9B0000000128

## Features:

- Spinning around high and mighty; able to bear 5 kg to 12kg.
- Providing 2 mounting space in coordination with VESA standard:75mm x 75mm and 100mm x100mm



## Mechanical Drawing:



*\*The height of the stand is not adjustable*