

Rugged Tablet PC 7"

M9020B

Product Features:

- 7" High Quality 1024 x 600 Resolution LED Panel
- Intel® BayTrail-M N2930 1.83GHz Processor (up to 2.16GHz)
- 1 x 4GB DDR3L-1600 SO-DIMM RAM (up to 8GB)
- Meet MIL-STD-810G Shock, Vibration and Drop Standard
- Built-in 802.11 ac/a/b/g/n WiFi + Bluetooth 4.0 (Class II) combo module
- 6200 mAh Li-ion Battery, 7.4V
- Short range barcode 1D/2D(Optional)
- Full QWERTY Keyboard (5 programmable function keys)



Main Unit



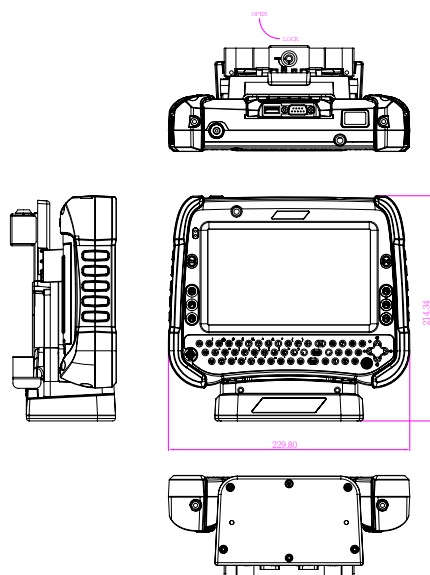
Docking (Optional)

Product Specifications:

| | | |
|----------------------------|---|--|
| System Specification | Processor | Intel® BayTrail-M N2930 1.83GHz Processor (up to 2.16GHz) |
| | System Memory | 1 x 4GB DDR3L-1600 SO-DIMM RAM (up to 8GB) |
| | Storage | 64GB mSATA SSD (upgradable to 512GB) |
| | Operating System | Windows Embedded 8.1 Industry Pro 64bit (Support Desktop Mode) |
| Display Specification | Size | 7" |
| | Resolution | 1024 * 600 |
| | Brightness | 900nit (typ.) |
| | Touch | 4W Resistive Touch (GFG) |
| | Sensors | Light sensor for auto backlight adjustment Position sensor (accelerometer) for portrait or landscape screen orientation |
| Wireless Communication | Wireless and Bluetooth | 802.11 ac/a/b/g/n WiFi + Bluetooth 4.0 (Class II) combo module |
| | WWAN | Optional LTE (Sierra MC7304 or MC7354) |
| | GPS | Built-in Neo-6 GPS module |
| Mechanical and Environment | Dimensions (W x L x H) | 229.75 x 183 x 54 mm (Standard) |
| | Weight | 1.43 kg |
| | Operation Temperature | -20°C to 60°C (AC mode), -20°C to 50°C (Battery mode) |
| | Operation Humidity | 5~95% RH (non condensing) |
| | IP Proof | IP67 |
| I/O Connectors | External I/O | 1 x USB 2.0 A Type, 1 x RS232 1 x Headset jack 1 x 2.5Ø DC Power Input 1 x Micro SD card slot (up to 32GB) |
| | Expansion Ports (Pin Headers for I/O Customization) | 4 x USB 2.0 1 x power output 5V 2A 1 x SVGA 4 x RS-232 |
| Power Management | Power input | 19V DC in |
| Field Service Features | Adapter | 65W |
| | Camera | 2M pixel camera front side; 5M rear camera with autofocus and flash light |
| | Barcode (optional) | 2D barcode scanner (Reads 1D and 2D barcodes) |
| | UHF RFID (optional) | UHF-RFID standard support |

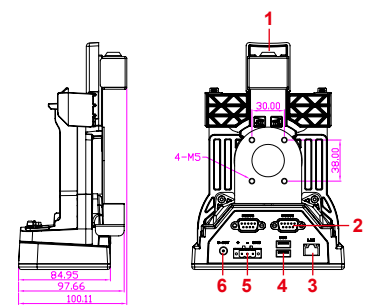
*Note: this is a simplified drawing and some components are not marked in detail. Please contact our sales representative if you need further product information.

Dimensions (Main unit with docking) :



| Accessories | |
|-------------|------------------------------|
| 1. | 19V 65W Power Adapter x 1 |
| 2. | Power Cord x 1 |
| 3. | Standard Battery x 2 |
| 4. | M9020B Quick Start Guide x 1 |
| 5. | Manual & Driver CD x 1 |
| 6. | Stylus Pen x1 |
| 7. | Hand Strap |

| Order Information | |
|-------------------|--------------------------|
| M9020B | Basic |
| M9020B-LE | 4G/LTE for Europe |
| M9020B-LA | 4G/LTE for North America |



1. Lock
2. RS-232 Connectors
3. RJ-45 Connector
4. USB Ports
5. Bare leads DC connector
6. Power Connector