

# DVC

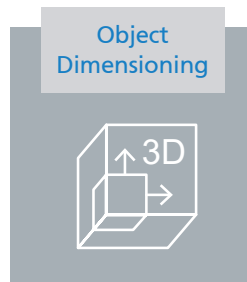
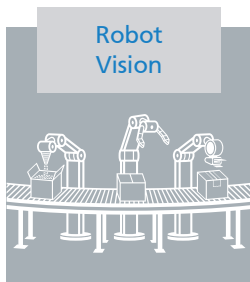
# 1000

Industrial-grade 3D Vision Camera

Intel® RealSense™ Technology, IEEE 802.3at PoE, IP67 Protection, Rugged



- Powered by Intel® RealSense™ Technology, delivers intuitive, natural interaction and immersion with advanced stereo image sensing technologies for vision-based applications.
- IEEE 802.3at PoE (Power over Ethernet) compliant, supports easy solution deployment and system installation.
- Flexible supports 12V DC or IEEE 802.3at PoE+ (25.5W/48V) Power Input
- Rugged and Fanless design, IP67 Protection



intel IoT Solutions Alliance

intel REALSENSE™



Vecow

## Specifications

### Depth Module

Technology	Active Stereoscopic
Working Distance	It may vary for calibration, scene, and lighting condition. - Max : 10 meters - Min : 0.105 meters
Resolution	1280 x 720/640 x 480/480 x 270/424 x 240
Frame Rate	Up to 60 fps
Shutter Type	Global Shutter
FoV (H x V x D)	87°±3° x 58°±1° x 95°±3° @HD Resolution
Z Accuracy	≤ 2%, up to 2 meters and 80% of FoV (It may vary with distance.)
Depth Sensor	OmniVision OV9282

### RGB Module

Resolution	1280 x 720/640 x 480/424 x 240
Frame Rate	Up to 60 fps
FoV (H x V x D)	69.4° x 42.5° x 77°(± 3°)
Color Sensor	OmniVision OV2740

### Illumination

Type	Infrared
Wavelength	850nm

### Power

Input	- DC 12V - PoE* (25.5W/48V) (Compliance IEEE 802.3at PoE*)
Interface	- PoE : RJ45 (Lockable connector) - DC 12V : A-coded M12

### Network

LAN	10/100/1000 Ethernet, IEEE 802.3at PoE supported
-----	--

### Software Support

OS	- Host : Ubuntu 16.04 - Client : Window 10, Ubuntu 16.04
SDK	Intel® RealSense™ SDK 2.0

### Mechanical & Environment

Dimensions	112.6mm x 106.6mm x 43.0mm (4.43" x 4.42" x 1.69")
Operating Temperature	0°C to 40°C
Storage Temperature	-40°C to 70°C
Mounting	Tripod
EMC	CE, FCC
IP Rating	IP67

## Order Information

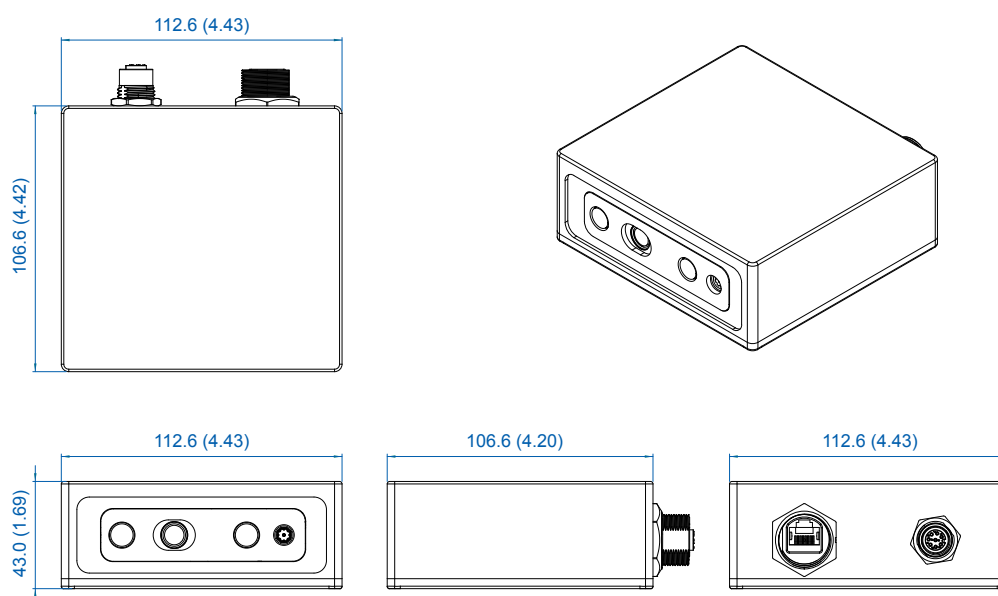
Model	Description
DVC-1000	Industrial-grade 3D Camera powered by Intel® RealSense™, PoE/M12 Power input, 12V DC

### Accessories

Lockable External PoE/LAN Cable (61-1C10808-151)	Lockable external PoE/LAN Cable, 1.5M Length
M12 External Power Input Cable (61-1C20403-001)	DVC-1000 M12 to 3 Pin terminal block external power input cable

## Dimensions & Drawing

Unit : mm (inch)



\* All product information may subject to change without prior notice.  
\* The rights of all brand names, product names and trademarks belong to their respective owners.  
Copyright © 2021 Vecow Co., Ltd. All rights reserved.