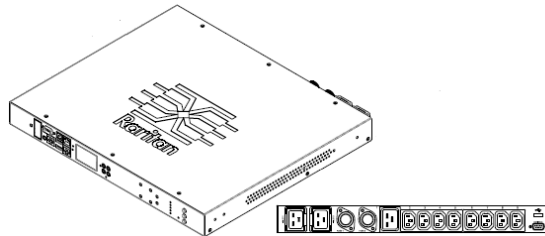


## Technical Specifications / Engineering Submittals

Raritan Model Number: PX3TS-1875R-N1

rev20170709

### LINE DRAWING



### Transfer Switch Characteristics

Transfer speed	Load transfer time 4-8ms
Switching Technology	Patent-Pending hybrid design uses electromechanical relays and silicon controlled rectifiers (SCR) to transfer a load between sources
Robust Switch Circuitry	Oversize 48A relays, 70A SCR (Silicon Controlled Rectifiers)
Out Of Phase Transfers	Reliable transfer when power in or out of phase
Power Quality Transfers	Transfers when voltage/frequency is outside user configurable range
User Configurable Setting	Voltage, Frequency and Phase angle

### Metering

Energy Metering	Volts, Amperage, Active Power (kW), Apparent Power (kVA), Power Factor, Energy (kWh)
Metering Accuracy	Billing Grade (+/- 1%)
Metering per Line	Yes
Temp / Humidity Sensor Ready	Yes
Front panel indicator	Transfer switch status and controls, energy meter, alarms
Networking	10/100 BaseT Ethernet. Optional WiFi(802.11a/b/g/n)
Remote Management	HTTP(s); SSH; Telnet; RS-232(Serial); SNMP Versionv2/v3; SMTP; JSON-RPC, PowerIQ, Modbus RTU

## Technical Specifications / Engineering Submittals

Raritan Model Number: PX3TS-1875R-N1

rev20170709

### Input

Input Connections	(2) IEC 60309 2P+E 6h 16A 2P3W (L1/N/E) IP44("splashproof")
Cord Length	3.0 meters
Maximum Input Current	16A (per line)
Rated Input Current	16A (per line) (North America)
Rated Input Voltage	200 - 240V, Single phase
Input Frequency	50/60Hz
Load Capacity	3.2kVA at 200V, 3.8kVA at 240V

### Output

Output Connections	a. (8) C13 2-pole, 3-wire; 10A b. (1) C19 2-pole, 3-wire; 16A
--------------------	--

### Circuit Protection & Supervisory Alarms

Protection	Inlet surge protection & field replaceable fast blow fuses for load short circuit protection
------------	--

### Physical

Unit Dimensions (W x D x H)	17.3" x 15.0" x 1.7" ; 440mm x 380mm x 44mm
Shipping Dimensions (W x D x H)	21.14" x 7.2" x 22.13" ; 537mm x 183mm x 562mm
Color	Black powder coat
Mounting	RACK-KIT-PX2TS-1U L480MM

## Technical Specifications / Engineering Submittals

Raritan Model Number: PX3TS-1875R-N1

rev20170709

### Environmental

---

Operating Environment	5 - 60°C (41 - 140°F)
-----------------------	-----------------------

---

Operating Relative Humidity	5 - 85%
-----------------------------	---------

---

Operating Elevation	0 - 10000ft
---------------------	-------------

---

### Conformance

---

Regulatory Approvals	CE, RoHS, Canada ICES-003
----------------------	---------------------------

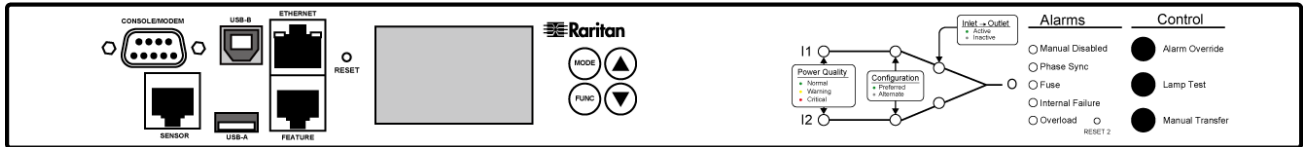
---

## Technical Specifications / Engineering Submittals

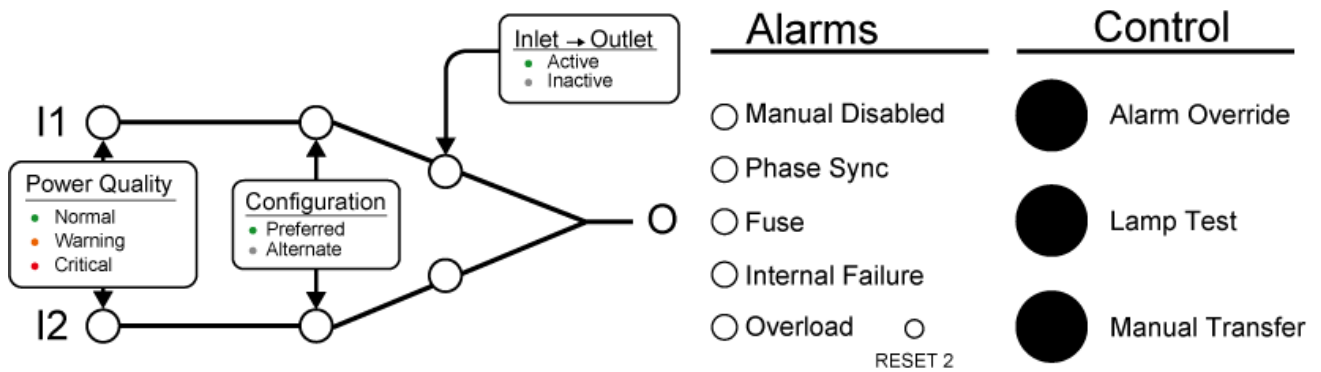
Raritan Model Number: PX3TS-1875R-N1

rev20170709

### Control Panel Detail



### Transfer Switch Status, Control & Alarms

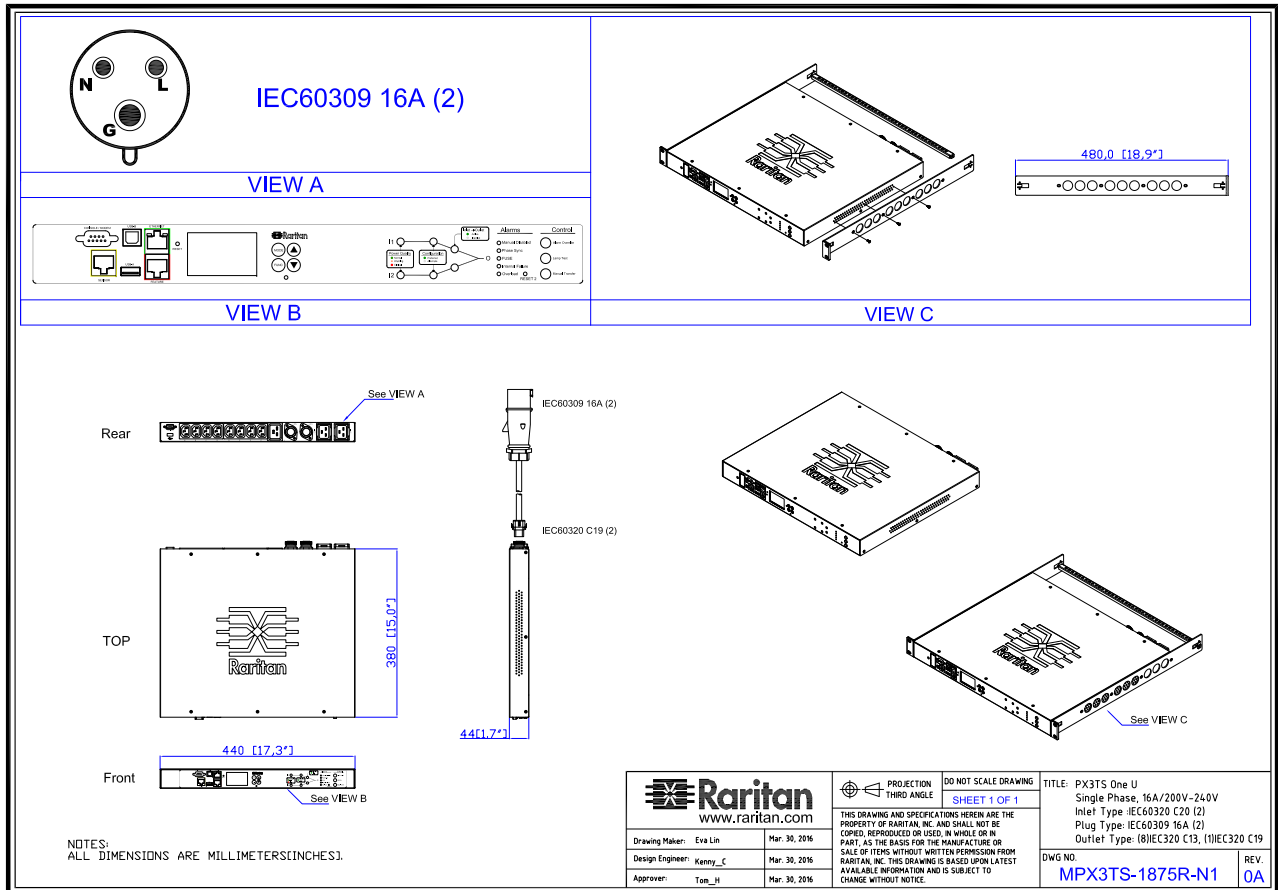


## Technical Specifications / Engineering Submittals

Raritan Model Number: PX3TS-1875R-N1

rev20170709

### Mechanical Diagram



This file generated on: Sun, July 09, 2017 - 23:09:53