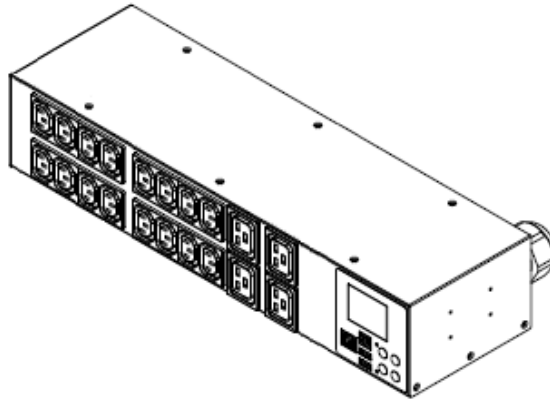


Technical Specifications / Engineering Submittals

Raritan Model Number: PX3-1469R

rev20190502

LINE DRAWING



FEATURES

| | |
|--|---|
| Energy Metering | Voltage (V), Current (A), Active Power (kW), Real Power (kVA), Energy (kWh), Power Factor |
| Metering Accuracy | ISO/IEC 62053-21 1% |
| Metering per Input Line | Yes |
| Metering per Branch Circuit Breaker | Yes |
| Metering per Output Receptacle | No |
| Remote Outlet Switching | No |
| Environmental Sensor Ready | Yes |
| Replaceable Controller | No |
| Compatible Sensors | Temperature, Humidity, Air Flow, Differential Pressure, Water Leak, and Contact Closure |
| Networking | Gigabit (10/100/1000 BaseT) Ethernet port; secondary, redundant (10/100 BaseT) Ethernet port. Optional WiFi (802.11a/b/g/n) |
| Remote Management | HTTP(s); SSH; Telnet; RS-232 (Serial); Power IQ; SNMP version v2/v3; SMTP; JSON-RPC; Modbus over TCP |
| Cascading | Yes, Max 16 PDUs can be daisy chained using a single Ethernet or USB connection |
| Onboard Display | Color, matrix LCD display : Voltage, current, or active power (per line or per breaker); Alarms; Configuration information (name, ratings, IP / Networking information) |
| Embedded Processor | ARM Cortex A5 536MHZ (Atmel A5D35A), 16MB SPI Flash, 64MB DDR2 RAM |

Technical Specifications / Engineering Submittals

Raritan Model Number: PX3-1469R

rev20190502

INPUT

| | |
|-----------------------|--------------------------------|
| Input Plug | IEC 60309 2P+E 6h 32A (2P3W) |
| Cord Length | 3 meters (9.84 feet) standard |
| Cord Entry | Rear feed |
| Cable Type | IP44("splashproof") |
| Number of Power Cords | 1 |
| Maximum Input Current | 32A |
| Nominal Input Voltage | 230V |
| Rated Input Voltage | 200 - 240V |
| Input Frequency | 50/60Hz |
| Power Capacity | 6.4kVA at 200V, 7.7kVA at 240V |

OUTPUT

| | |
|----------------------------------|---|
| Nominal Output Voltage | 230V |
| Rated Output Voltage | 200 - 240V |
| Receptacles (Output Connections) | (16) IEC320 C13, 10A (4) IEC320 C19, 16A |
| Securelock Support | Yes |
| Cord Retention | No |
| Overload Protection | (2) LEGBX6-16 |

PHYSICAL

| | |
|-----------------------------|---|
| Color | Black powder coat (custom colors available) |
| Unit Dimensions (WxDxH) | 17.3" x 5.2" x 3.5" ; 440mm x 133mm x 88mm |
| Unit Weight | 4.3 kg |
| Shipping Weight | 7.3 kg |
| Shipping Dimensions (WxDxH) | 21.81" x 18.43" x 7.09" ; 554mm x 468mm x 180mm |
| Mounting | RACK-KIT-PX-1K 2U |

Technical Specifications / Engineering Submittals

Raritan Model Number: PX3-1469R

rev20190502

ENVIRONMENTAL

Operating Temperature 60°C

Operating Relative Humidity 85%

Operating Elevation 0-10000ft

CONFORMANCE

Regulatory Approvals CE, Canada ICES-003, Part 15 Class A of the FCC rules,
RoHS compliant

Warranty Standard 2 years manufacturer warranty

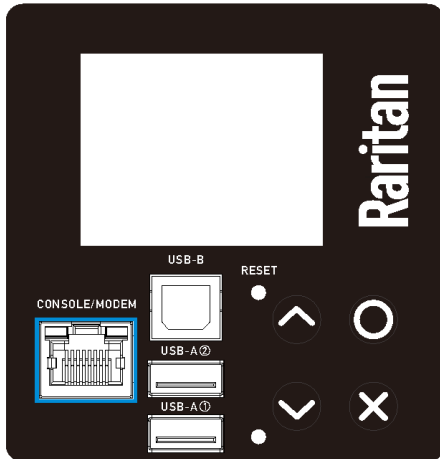
Technical Specifications / Engineering Submittals

Raritan Model Number: PX3-1469R

rev20190502

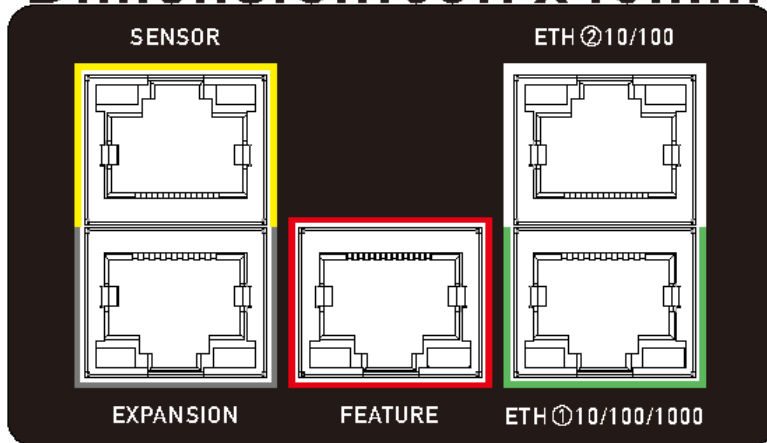
CONTROL PANEL

Dimension: 77.6x81mm



CONTROL PANEL2

Dimension: 69.7x40mm

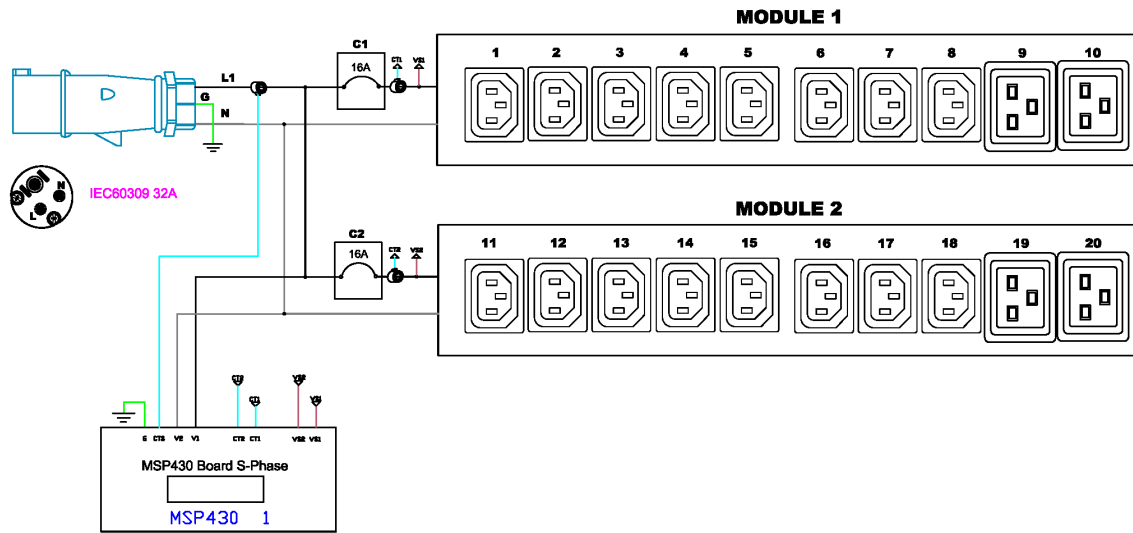


Technical Specifications / Engineering Submittals

Raritan Model Number: PX3-1469R

rev20190502

ELECTRICAL (ONE LINE) DIAGRAM

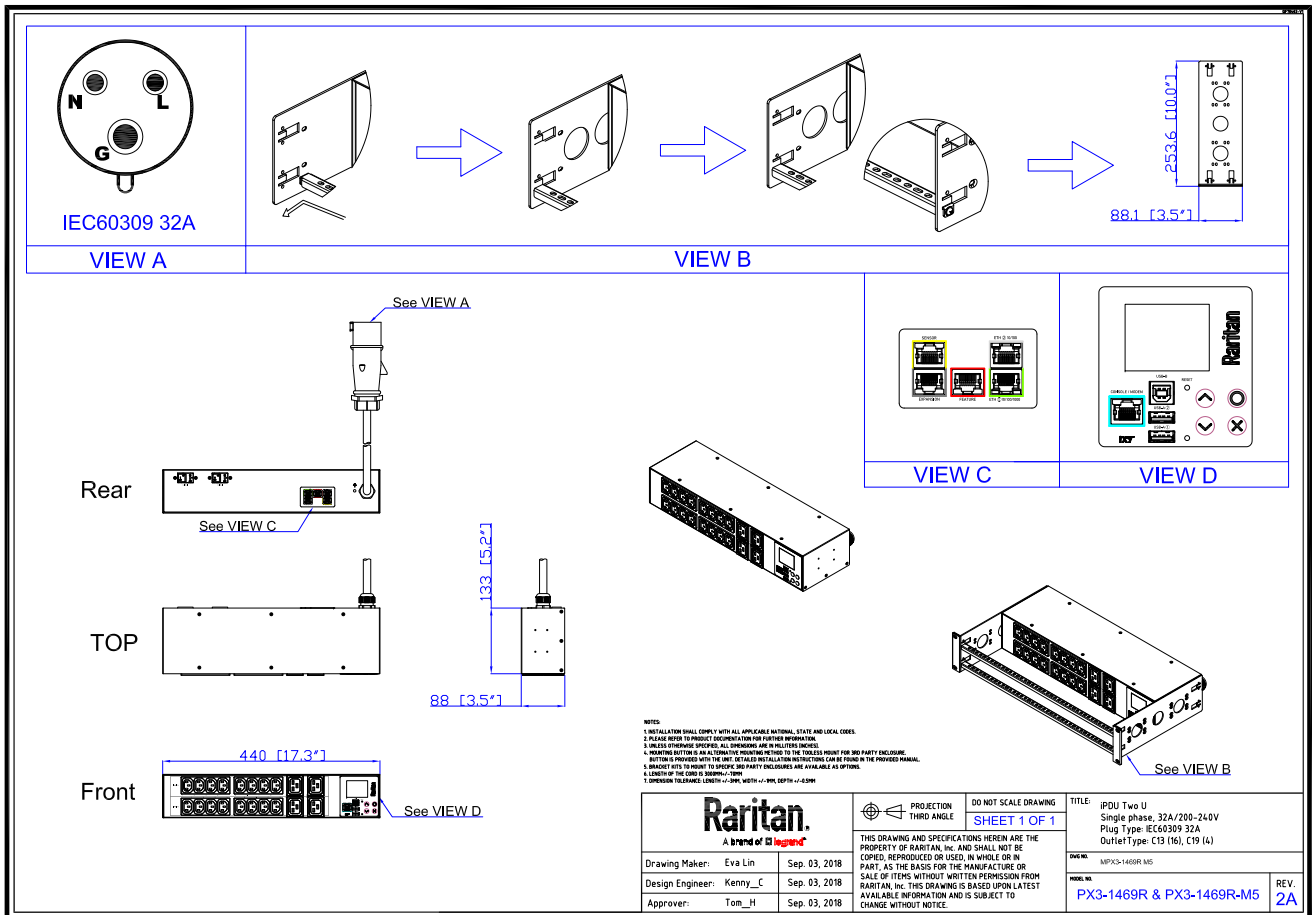


Technical Specifications / Engineering Submittals

Raritan Model Number: PX3-1469R

rev20190502

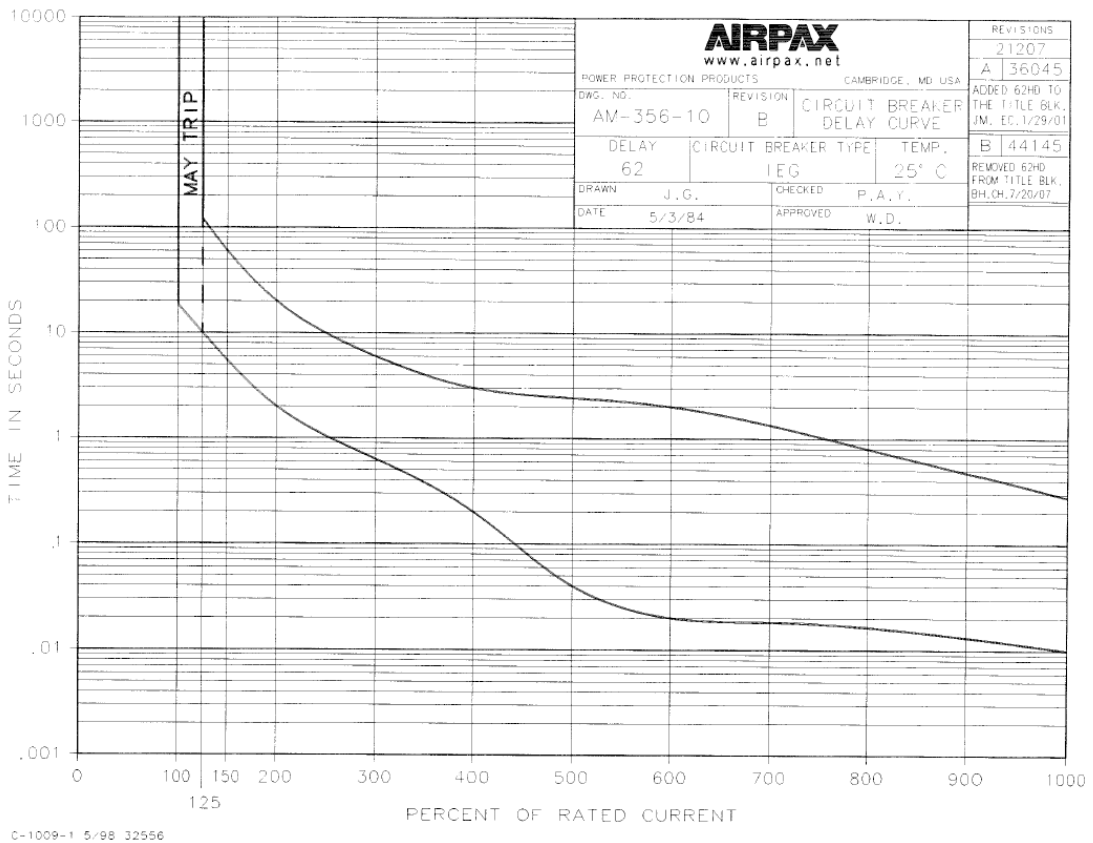
MECHANICAL DIAGRAM



Technical Specifications / Engineering Submittals
Raritan Model Number: PX3-1469R

rev20190502

TRIP CURVE



7