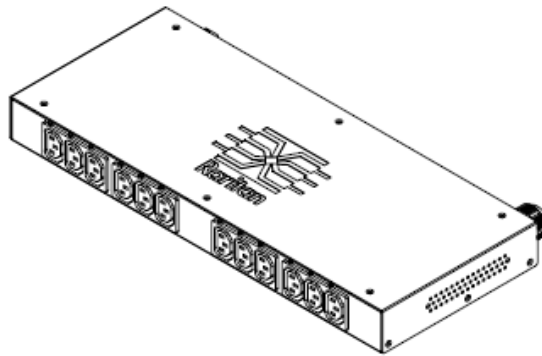


Technical Specifications / Engineering Submittals

Raritan Model Number: PX2-4260R

rev20180322

LINE DRAWING



FEATURES

| | |
|-------------------------------------|---|
| Energy Metering | Voltage (V), Current (A), Active Power (kW), Real Power (kVA), Energy (kWh), Power Factor |
| Metering Accuracy | ISO/IEC 62053-21 1% |
| Metering per Input Line | Yes |
| Metering per Branch Circuit Breaker | No |
| Metering per Output Receptacle | Yes |
| Remote Outlet Switching | No |
| Environmental Sensor Ready | Yes |
| Replaceable Controller | No |
| Compatible Sensors | Temperature, Humidity, Air Flow, Differential Pressure, Water Leak, and Contact Closure |
| Networking | (10/100 BaseT) Ethernet port. Optional WiFi (802.11a/b/g/n) |
| Remote Management | HTTP(s); SSH; Telnet; RS-232 [Serial]; Power IQ; SNMP version v2/v3; SMTP; JSON-RPC |
| Cascading | Yes, Max 8 PDUs can be daisy chained using USB connection |
| Onboard Display | 3-digit LED user-selectable display : Voltage, current, or active power (per line or per receptacle / outlet) |
| Embedded Processor | ARM9 400MHZ (Atmel SAM9G20), 16MB NOR Flash, 64MB SDRAM |

Technical Specifications / Engineering Submittals

Raritan Model Number: PX2-4260R

rev20180322

INPUT

| | |
|-----------------------|--------------------------------|
| Input Plug | IEC 60309 2P+E 6h 16A (2P3W) |
| Cord Length | 3 meters (9.84 feet) standard |
| Cord Entry | Rear feed |
| Cable Type | IP44("splashproof") |
| Number of Power Cords | 1 |
| Maximum Input Current | 16A |
| Nominal Input Voltage | 230V |
| Rated Input Voltage | 200 - 240V |
| Input Frequency | 50/60Hz |
| Power Capacity | 3.2kVA at 200V, 3.8kVA at 240V |

OUTPUT

| | |
|----------------------------------|----------------------|
| Nominal Output Voltage | 230V |
| Rated Output Voltage | 200 - 240V |
| Receptacles (Output Connections) | (12) IEC320 C13, 10A |
| Securelock Support | Yes |
| Cord Retention | No |
| Overload Protection | N/A |

PHYSICAL

| | |
|-----------------------------|---|
| Color | Black powder coat (custom colors available) |
| Unit Dimensions (WxDxH) | 17.3" x 7.2" x 1.7" ; 440mm x 183mm x 44mm |
| Unit Weight | 5.2 kg |
| Shipping Weight | 11.4 kg |
| Shipping Dimensions (WxDxH) | 22.44" x 16.34" x 12.6" ; 570mm x 415mm x 320mm |
| Mounting | 100-89-8430-00 |

Technical Specifications / Engineering Submittals

Raritan Model Number: PX2-4260R

rev20180322

ENVIRONMENTAL

Operating Temperature 50°C

Operating Relative Humidity 85%

Operating Elevation 0-10000ft

CONFORMANCE

Regulatory Approvals CE, Canada ICES-003, Part 15 Class A of the FCC rules,
RoHS compliant

Warranty Standard 2 years manufacturer warranty

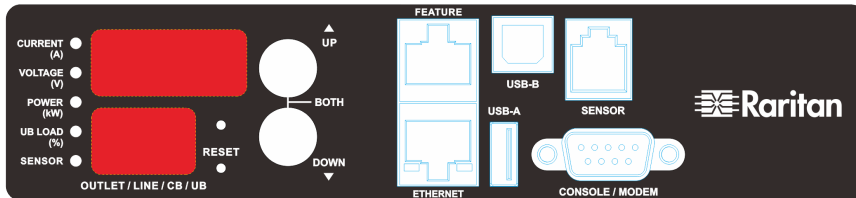
Technical Specifications / Engineering Submittals

Raritan Model Number: PX2-4260R

rev20180322

CONTROL PANEL

Dimension: 176.5mm x 40mm

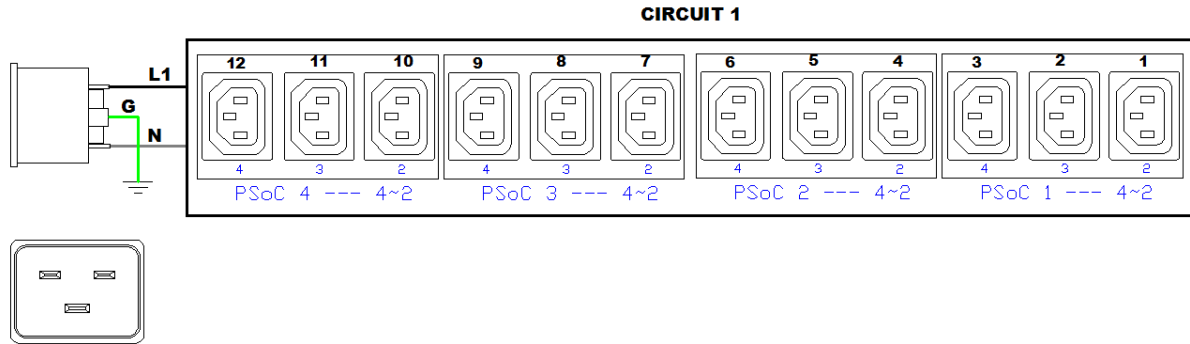


Technical Specifications / Engineering Submittals

Raritan Model Number: PX2-4260R

rev20180322

ELECTRICAL (ONE LINE) DIAGRAM



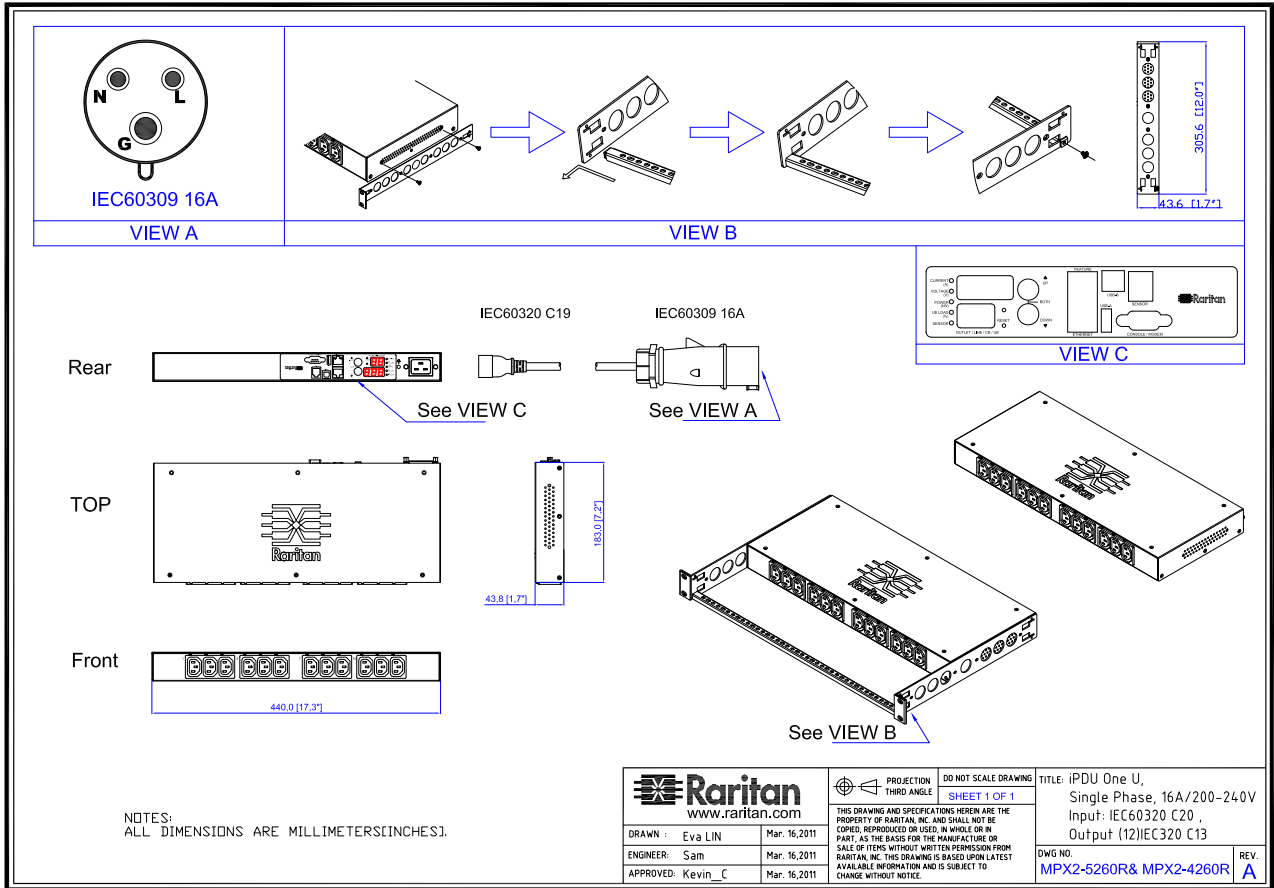
IEC60320 C20

Technical Specifications / Engineering Submittals

Raritan Model Number: PX2-4260R

rev20180322

MECHANICAL DIAGRAM



Technical Specifications / Engineering Submittals

Raritan Model Number: PX2-4260R

rev20180322

TRIP CURVE

This file generated on: Thu, March 22, 2018 - 05:51:31