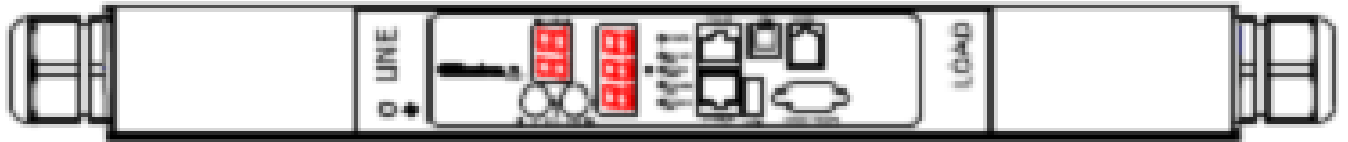


## Technical Specifications / Engineering Submittals

Raritan Model Number: PX2-3172

rev20170831

### LINE DRAWING



### FEATURES

Energy Metering	Voltage (V), Current (A), Active Power (kW), Real Power (kVA), Energy (kWh), Power Factor
Metering Accuracy	ISO/IEC 62053-21 1%
Metering per Input Line	Yes
Metering per Branch Circuit Breaker	No
Metering per Output Receptacle	No
Remote Outlet Switching	No
Environmental Sensor Ready	Yes
Replaceable Controller	No
Compatible Sensors	Temperature, Humidity, Air Flow, Differential Pressure, Water Leak, and Contact Closure
Networking	(10/100 BaseT) Ethernet port. Optional WiFi (802.11a/b/g/n)
Remote Management	HTTP(s); SSH; Telnet; RS-232 (Serial); Power IQ; SNMP version v2/v3; SMTP; JSON-RPC
Cascading	Yes, Max 8 PDUs can be daisy chained using USB connection
Onboard Display	3-digit LED user-selectable display : Voltage, current, or active power (per line); Auto-flip orientation
Embedded Processor	ARM9 400MHZ (Atmel SAM9G20), 16MB NOR Flash, 64MB SDRAM

## Technical Specifications / Engineering Submittals

Raritan Model Number: PX2-3172

rev20170831

### INPUT

Input Plug	IEC 60309 3P+N+E 6h 32A (4P5W)
Cord Length	3 meters (9.84 feet) standard
Cord Entry	Bottom-front feed
Cable Type	IP44("splashproof")
Number of Power Cords	1
Maximum Input Current	32A
Nominal Input Voltage	400V 3 phase
Rated Input Voltage	380 - 415V 3 phase
Input Frequency	50/60Hz
Power Capacity	0.0kVA at 380V, 0.0kVA at 415V

### OUTPUT

Nominal Output Voltage	400V
Rated Output Voltage	380 - 415V
Receptacles (Output Connections)	(1) IEC 60309 3P+N+E 6h 32A, 32A
Securelock Support	No
Cord Retention	Yes
Overload Protection	N/A

### PHYSICAL

Color	Black powder coat (custom colors available)
Unit Dimensions (WxDxH)	2.1" x 2.6" x 17.3" ; 52mm x 65mm x 439mm
Unit Weight	3.8 kg
Shipping Weight	5 kg
Shipping Dimensions (WxDxH)	9.06" x 4.45" x 44.88" ; 230mm x 113mm x 1140mm
Mounting	G2-RACK-FOR-ZU

## Technical Specifications / Engineering Submittals

Raritan Model Number: PX2-3172

rev20170831

### ENVIRONMENTAL

---

Operating Temperature	60°C
Operating Relative Humidity	85%
Operating Elevation	0-10000ft

---

### CONFORMANCE

---

Regulatory Approvals	CE, Canada ICES-003, Part 15 Class A of the FCC rules, RoHS compliant
Warranty	Standard 2 years manufacturer warranty

---

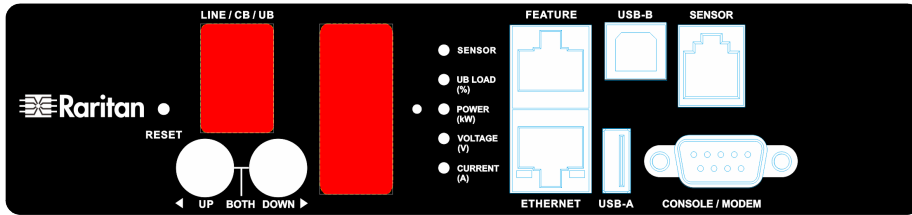
## Technical Specifications / Engineering Submittals

Raritan Model Number: PX2-3172

rev20170831

### CONTROL PANEL

Dimension: 188mm x 43mm

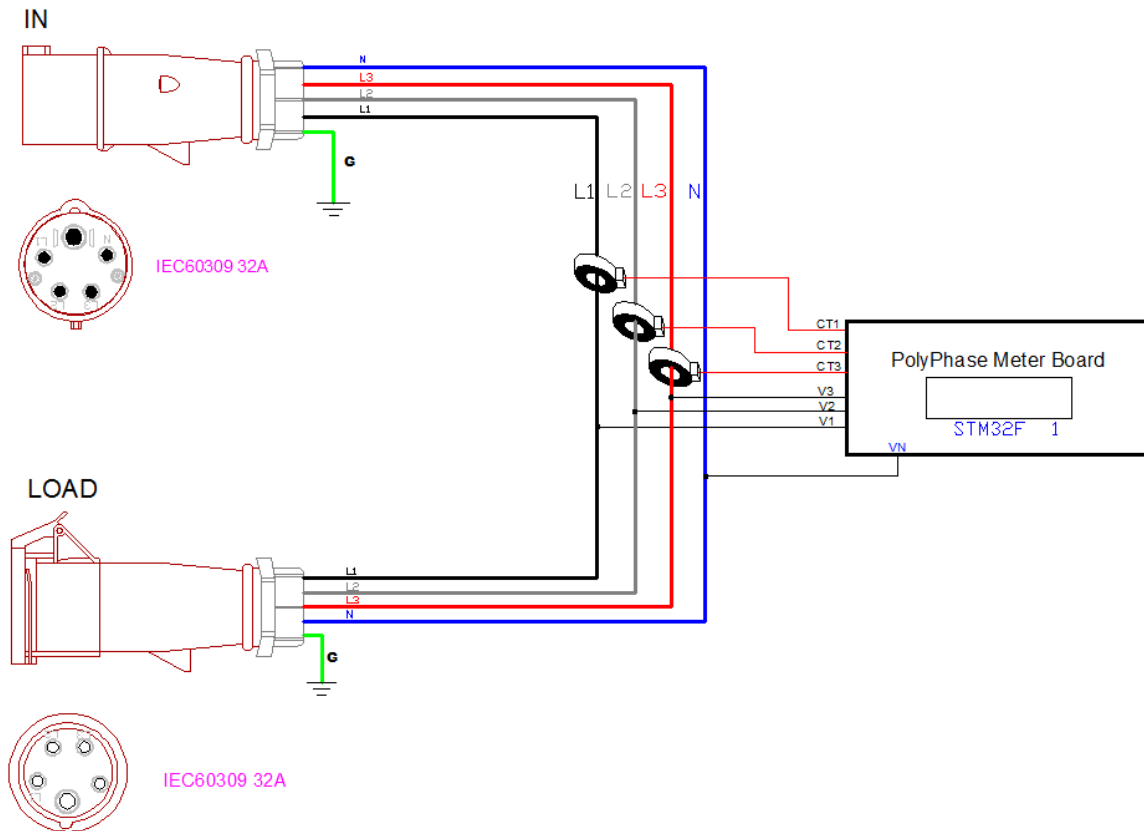


## Technical Specifications / Engineering Submittals

Raritan Model Number: PX2-3172

rev20170831

### ELECTRICAL (ONE LINE) DIAGRAM

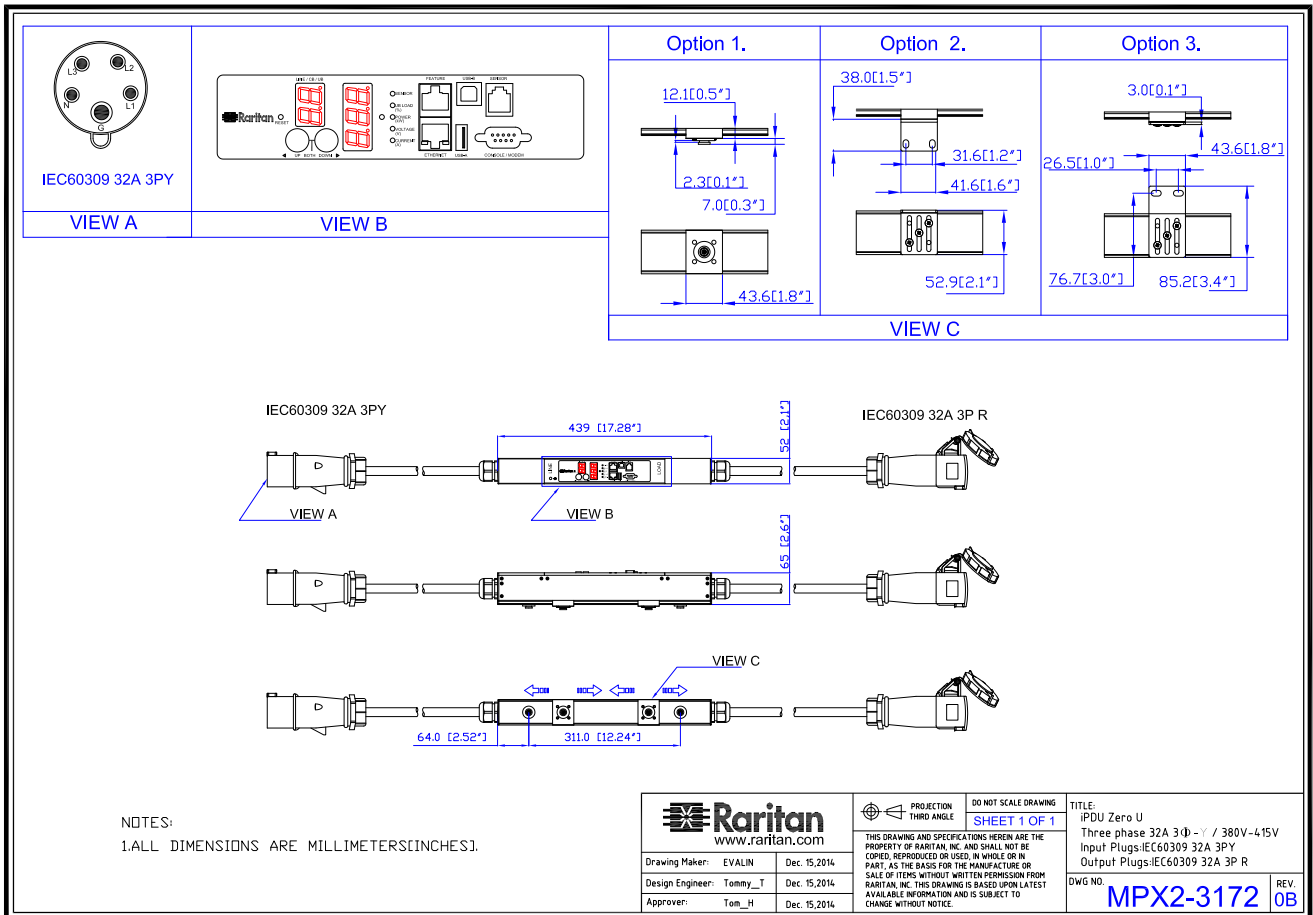


## Technical Specifications / Engineering Submittals

Raritan Model Number: PX2-3172

rev20170831

### MECHANICAL DIAGRAM



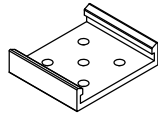
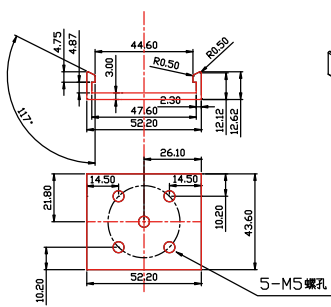
## Technical Specifications / Engineering Submittals

Raritan Model Number: PX2-3172

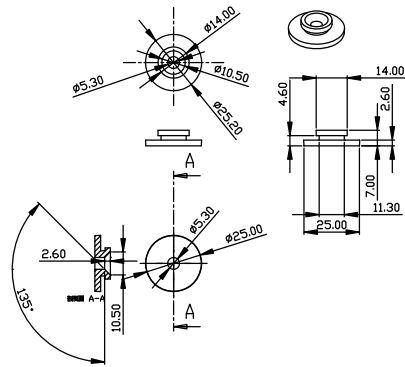
rev20170831

### Mounting Diagram (G2-RACK-FOR-ZU)

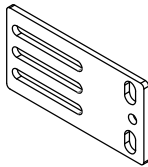
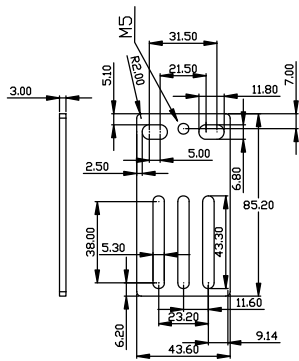
250-70-0104-00



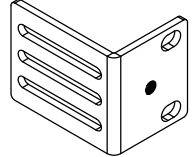
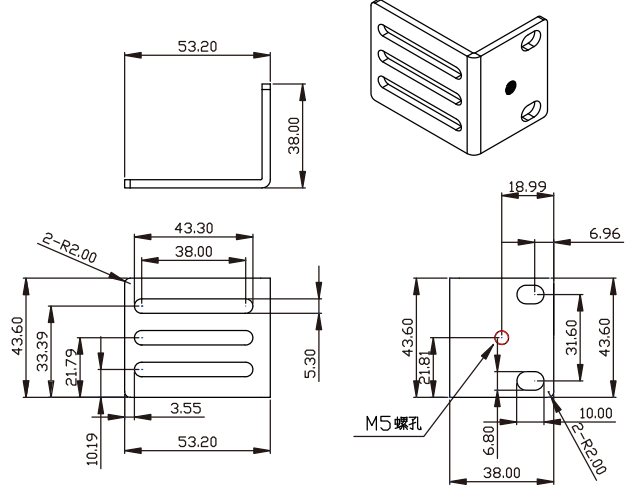
250-80-0011-00



250-70-0007-00



250-70-0093-00



## Technical Specifications / Engineering Submittals

Raritan Model Number: PX2-3172

rev20170831

### TRIP CURVE

This file generated on: Thu, August 31, 2017 - 04:50:23