

TANK-860-HM86

- Intel® HM86 mobile solution
- Three different expansion slot options

Features

- Intel® HM86 chipset + 4th generation Intel® Core™ CPU
- Great flexibility of expansion slots
 - » 2-slot model: 2 x PCIe by 16, 1 x PCIe Mini slot
 - » 4-slot model: 2 x PCIe by 16, 2 x PCI, 2 x PCIe Mini slot
 - » 6-slot model: 1 x PCIe by 16, 2 x PCIe by 4, 3 x PCI, 2 x PCIe Mini slot
- IPMI function for remote control management
- Three independent video outputs support high resolution
- 2 x 2.5" SATA HDD bay design fulfills high storage demand



2-slot



6-slot



4-slot



Automation Solution

The TANK-860 is a fanless expandable embedded system with PCIe and/or PCI slots. With rich I/O, customers can make it as a control center. Furthermore, the ruggedized design makes the TANK-860 more reliable even in harsh environments.

Rich I/O

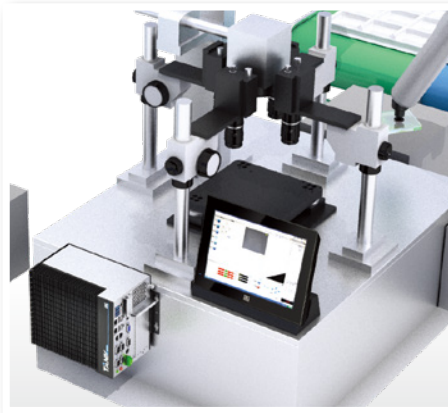
Rich I/O

PCI/PCIe Expansion

PCI/PCIe expansion

Ruggedized System

Ruggedized system



Automation

Automation

Machine Vision

Machine Vision

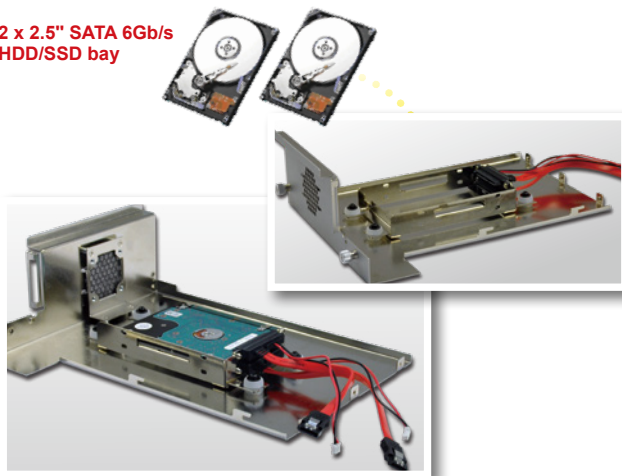
Data Acquisition

Data Acquisition

Dual 2.5" SATA HDD/SSD Bay

With two 2.5" SATA HDD/SSD bays, users can fulfill large storage requirement and use it as a terminal for data acquisition. The easy-to-assemble design reduces user fatigue in system installation.

2 x 2.5" SATA 6Gb/s HDD/SSD bay



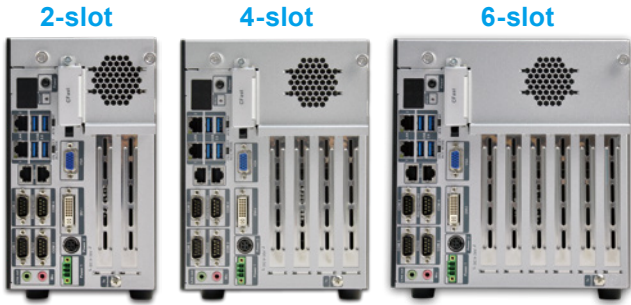
Swappable CFast Design

CFast is based on the Serial ATA bus and supports up to 300 MBps transfer rates, which is much higher than the CF card. With the hot-swappable design, users can replace the CFast even when the system is running.



Abundant Expansion Interface

The TANK-860 series has a great variety of different expansion interfaces. From basic 2-slot expansion model to advanced 6-slot expansion model, customers can choose the most suitable one to apply.



Versatile Expansion Interface

	2-slot model		4-slot model		6-slot model	
Physical Slot	PCle x16	PCle x16	PCle x16	PCle x16	PCle x4	PCle x4
Signal	PCle x8	PCle x8	PCle x8	PCle x8	PCle x4	PCle x4
Slot type	PCle x16	PCI	PCI	PCI	PCI	PCI
Signal	PCle x8	PCI	PCI	PCI	PCI	PCI

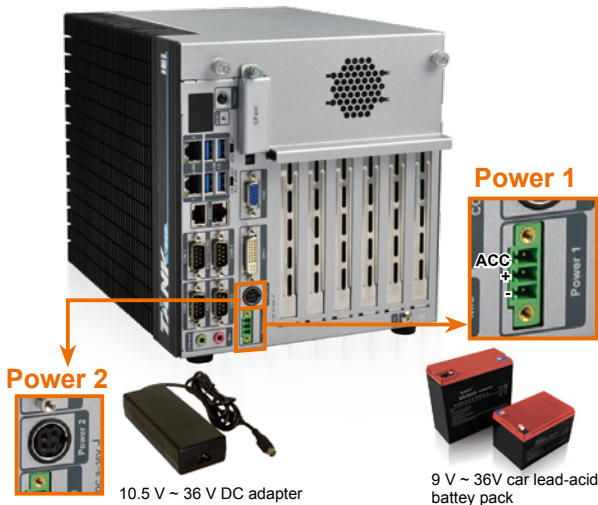
Wide Range Temperature

The TANK-860-HM86 series is designed to withstand wide range of temperatures. With this design, the TANK-860-HM86 series can even be installed in a high-temperature roadside cabinet.



Dual DC Power Input

The TANK-860-HM86 adopts dual DC power input design, which ensures uninterrupted power supply to the system and eliminates the risk of sudden shutdown and data loss, even if one power is unavailable or low voltage capacity is present.



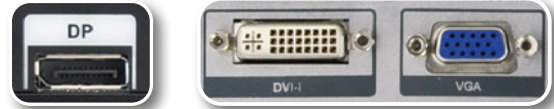
iRIS Solution



By installing the IEI iRIS-2400 module, the TANK-860 is capable to complete your IoT application through the advanced remote control features, such as power management and control, remote KVM for device status monitoring, sending active alerts and warning messages by e-mail or SMS.

Triple Display

The TANK-860 contains VGA/DisplayPort/DVI video outputs, which can be applied to multi-display application and support high Full HD video quality.



Anti-Vibration and Anti-Shock Design

With the rugged design, the TANK-860-HM86 series is reliable in industrial environments to resist strong vibrations and can be used as a core computer required to be installed on moving objects.



Wide Range DC Power Input

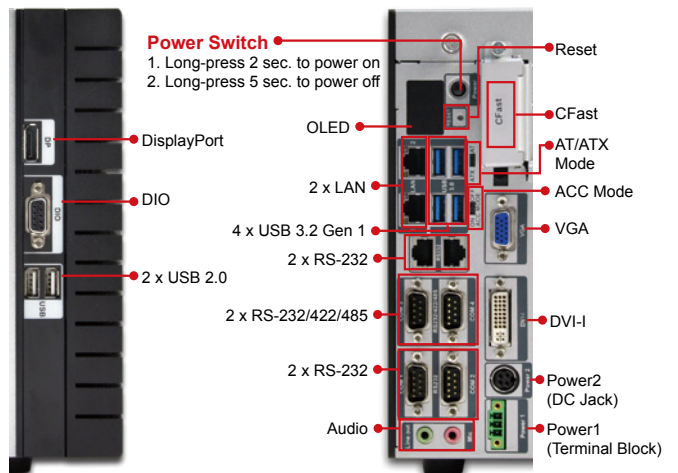
The TANK-860-HM86 series accepts wide range DC power input, allowing it to be powered anywhere, no matter if a 12 V/24 V DC source or a 19 V power adapter is available.



Fully Integrated I/O

Front View

Rear View



Specifications

Model Name		TANK-860-HM86
Chassis	Color	Black C + Silver
	Dimensions (WxHxD) (mm)	2 slot: 121.5 x 255.2 x 205 4 slot: 154.8 x 255.2 x 205 6 slot: 195.4 x 255.2 x 205
	System Fan	Fanless
Motherboard	Chassis Construction	Extruded aluminum alloys
	CPU	Intel® Core™ i5-4400E 2.7 GHz
	Chipset	Intel® HM86
IPMI	System Memory	2 x 204-pin DDR3 SO-DIMM, one 4GB pre-installed (system max: 16 GB)
	iRIS Solution	1 x iRIS-2400 (optional)
Storage	Hard Drive	2 x 2.5" SATA 6Gb/s HDD/SSD bay
	CF Card/CFast	1 x CFast
I/O Interfaces	USB 3.2 Gen 1 (5Gb/s)	4
	USB 2.0	2
	Ethernet	2 x RJ-45 1 x PCIe GbE by Intel® I210 1 x PCIe GbE by Intel® I217LM
	COM Port	4 x RS-232 (2 DB-9 w/ isolation, 2 RJ-45) 2 x RS-232/422/485 (DB-9)
	Digital I/O	8-bit digital I/O, 4-bit input/4-bit output
	Display	1 x VGA, 1 x DVI-I, 1 x DisplayPort
	Resolution	VGA: Up to 1920 x 1200@60Hz DVI-I: Up to 2500 x 1600@60Hz DisplayPort: Up to 2500 x 1600@60Hz
	Audio	1 x Line-out, 1 x Mic-in
	Wireless	1 x 802.11a/b/g/n/ac (optional)
	Expansions	PCI/PCle
PCIe Mini		2A: 1 x Full-size (PCIe/ USB 2.0/ SATA) 4A: 1 x Full-size (PCIe/ USB 2.0/ SATA) + 1 x Full-size (PCIe/ USB 2.0) (on backplane) 6A: 1 x Full-size (PCIe/ USB 2.0/ SATA) + 1 x Full-size (PCIe/ USB 2.0) (on backplane)
Power	Power Input	DC Jack: 9 V ~ 36 V DC Terminal Block: 9 V ~ 36 V DC
	Power Consumption	19 V@3.34 A (Intel® Core™ i5-4400E with 4 GB memory)
Reliability	Mounting	Wall mount
	Operating Temperature	-20°C ~ 60°C with air flow (SSD), 5% ~ 95%, non-condensing
	Storage Temperature	-30°C ~ 70°C with air flow (SSD), 5% ~ 90%, non-condensing
	Operating Shock	Half-sine wave shock 5G, 11ms, 3 shocks per axis
	Operating Vibration	MIL-STD-810F 514.5C-2 (with SSD)
	Weight (Net/Gross)	2-slot: 4.2 kg/6.3 kg 4-slot: 4.5 kg/6.5 kg 6-slot: 4.8 kg/6.9 kg
OS	Safety/EMC	CE/FCC
	Supported OS	Microsoft® Windows® 8 Embedded, Microsoft® Windows® Embedded Standard 7 E

Ordering Information

Part No.	Description
TANK-860-HM86i-i5/4G/2A-R10	Intel® Core™ i5-4400E 2.7 GHz dual-core, TDP 37W, 4GB DDR3 pre-installed memory, 2 x PCIe expansion, VGA/DVI-I/DisplayPort, iRIS-2400 optional, 9 V ~ 36 V DC, R10, RoHS
TANK-860-HM86i-i5/4G/4A-R10	Intel® Core™ i5-4400E 2.7 GHz dual-core, TDP 37W, 4GB DDR3 pre-installed memory, 2 x PCIe and 2 x PCI expansion, VGA/DVI-I/DisplayPort, iRIS-2400 optional, 9 V ~ 36 V DC, R10, RoHS
TANK-860-HM86i-i5/4G/6A-R10	Intel® Core™ i5-4400E 2.7 GHz dual-core, TDP 37W, 4GB DDR3 pre-installed memory, 2 x PCIe and 3 x PCI expansion, VGA/DVI-I/DisplayPort, iRIS-2400 optional, 9 V ~ 36 V DC, R10, RoHS
TANK-860-QGW-i5/8G/2A-R10	Intel® Core™ i5-4400E CPU, 2 x 4GB DDR3 memory, 2 x PCIe expansion, Dual GbE, COM, DIO, VGA/DVI-I/DisplayPort, iRIS-2400 optional, with QTS-Gateway, 9 V ~ 36 V DC, RoHS
TANK-860-QGW-i5/8G/4A-R10	Intel® Core™ i5-4400E CPU, 2 x 4GB DDR3 memory, 2 x PCIe and 2 x PCI expansion, Dual GbE, COM, DIO, VGA/DVI-I/DisplayPort, iRIS-2400 optional, with QTS-Gateway, 9 V ~ 36 V DC, RoHS
TANK-860-QGW-i5/8G/6A-R10	Intel® Core™ i5-4400E CPU, 2 x 4GB DDR3 memory, 3 x PCIe and 3 x PCI expansion, Dual GbE, COM, DIO, VGA/DVI-I/DisplayPort, iRIS-2400 optional, with QTS-Gateway, 9 V ~ 36 V DC, RoHS

Options

Part No.	Description
32000-000002-RS	European power cord
63040-010120-300-RS	Adapter Power;FSP;FSP120-AHAN3;9NA1206708;Active PFC;Vin:90 ~ 264VAC;120W;Dim:75.6 x 151.3 x 25.4mm;Plug=6.5 mm;Cable=1500mm;Erp(NO LOAD 0.15W);Vout:12VDC;Din 4Pin/lock;CCL;RoHS
EMB-FAN-KIT02-R10	Fan Module;MODIFY 31100-000272-RS;+12V DC;4PIN;40*40*15mm ;STANDARD;;FD124015LB2W3;; L=400mm MOLEX 5051-04P P=2.54;CCL;RoHS
EMB-WIFI-KIT01-R20	1T1R wifi module kit for embedded system, IEEE802.11a/b/g/n/ac WiFi with Bluetooth 4.0/3.0+HS, 1 x wifi module, 2 x 250mm RF cable, 2 x Antenna, RoHS
iRIS-2400-R10	IPMI 2.0 adapter card with AST2400 BMC chip for DDR3 SO-DIMM socket interface
TANK-860-HM86-WES7E-R10	OS Image with Windows® Embedded Standard 7 E for TANK-860 H Series, with CD-ROM, RoHS

Packing List

1 x Chassis Screw
1 x Mounting Bracket

Dimensions (Unit: mm)

