

IVS-300 Vehicle Surveillance System

Features

- Intel® Skylake ULT /Baytrail processor
- 4 x PoE IEEE802.3af
- Optional 3G/Wi-Fi
- 2 x RS-232, 1 x RS-422/485
- 4 x DI/DO
- 1 x HDMI (lockable), 1 x VGA

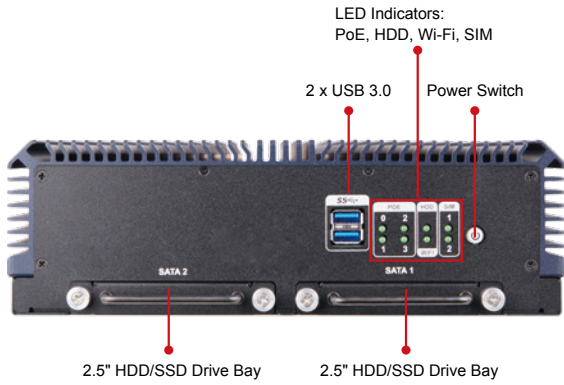


Specifications

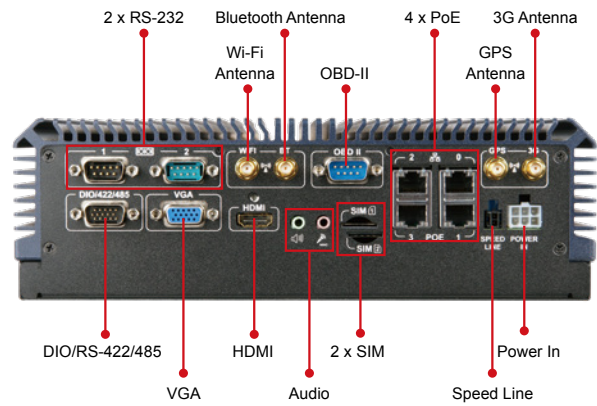
Model Name		IVS-300-BT	IVS-300-ULT3
Chassis	Color	Blue C	Blue C
	Dimensions (WxHxD) (mm)	255 x 80 x 185	255 x 80 x 185
	System Fan	Fanless	Fanless
	Chassis Construction	Extruded aluminum alloy	Extruded aluminum alloy
Motherboard	CPU	Intel® Celeron® J1900 Processor (quad-core 2GHz, 10W TDP)	Intel® Core™ i5-6300U processor (dual-core, 2.4 GHz, 15W TDP)
	Chipset	SoC	
	System Memory	2 x 204-pin DDR3L SO-DIMM. 4GB pre-installed (system max. 8 GB)	2 x 260-pin DDR4 SO-DIMM, 4GB pre-installed (system max. 32 GB)
Storage	Hard Drive	2 x 2.5" SATA 6Gb/s SSD removable drive bay	2 x 2.5" SATA 6Gb/s SSD removable drive bay
Communication	WLAN	PCIe Mini Wi-Fi 802.11 a/b/g/n/ac (optional)	PCIe Mini Wi-Fi 802.11 a/b/g/n/ac (optional)
	Bluetooth	BT 4.0/3.0+HS (combo with WLAN optional module)	BT 4.0/3.0+HS (combo with WLAN optional module)
	WWAN	PCIe Mini WCDMA/HSDPA/HSUPA (optional)	PCIe Mini WCDMA/HSDPA/HSUPA (optional)
	GPS	On board GPS	On board GPS
I/O Interfaces	USB 3.0	2	2
	Ethernet	4 x RJ-45 PCIe GbE by Intel® i210-AT Support PoE IEEE802.3af (Each port max 15.4W)	4 x RJ-45 PCIe GbE by Intel® i210-AT Support PoE IEEE802.3af (Each port max 15.4W)
	COM port	2 x DB-9 RS-232(With isolation) 1 x DB-15 RS-422/485	2 x DB-9 RS-232(With isolation) 1 x DB-15 RS-422/485
	Digital I/O	8-bit digital I/O (4-bit input, 4-bit output)	8-bit digital I/O (4-bit input, 4-bit output)
	CAN-Bus/OBD-II	1 x DB9 OBD-II/J1939	1 x DB9 OBD-II/J1939
	Display	1 x VGA, 1 x HDMI	1 x VGA, 1 x HDMI
	Resolution	VGA : Up to 1920 x 1080 @60Hz HDMI : Up to 1920 x 1080 @60Hz	VGA : Up to 1920 x 1080 @60Hz HDMI : Up to 1920 x 1080 @60Hz
	Audio	1 x Mic in, 1 x Line out	1 x Mic in, 1 x Line out
	SIM	2 x on board SIM card slot	2 x on board SIM card slot
	Antenna	1 x 3G, 1 x GPS, 1 x BT, 1 x Wi-Fi	1 x 3G, 1 x GPS, 1 x BT, 1 x Wi-Fi
Expansions	PCIe Mini	1 x Half-size PCIe Mini (reserved for WLAN) 1 x Full-size PCIe Mini (reserved for WWAN) 1 x Full-size PCIe Mini (USB signal)	1 x Half-size PCIe Mini (reserved for WLAN) 1 x Full-size PCIe Mini (reserved for WWAN) 1 x Full-size PCIe Mini (USB signal)
	Led Indicator & Button	Indicator: 8 x LED (4 PoE, 1 HDD, 1 Wi-Fi, 2 SIM) Button: 1 x Power button	Indicator: 8 x LED (4 PoE, 1 HDD, 1 Wi-Fi, 2 SIM) Button: 1 x Power button
Power	Power Input	Cigarette lighter power cable: DC 9 V~30 V	Cigarette lighter power cable: DC 9 V~30 V
	Consumption	12 V @ 12A (Intel® J1900 with 4 GB DDR3L memory + 4 PoE)	12 V @ 14A (Intel® i5-6300U with 4 GB DDR4 memory + 4 PoE)
Reliability	Mounting	Wall mount	Wall mount
	Operating Temperature	-20°C ~ 60°C with air flow	-20°C ~ 60°C with air flow
	Storage Temperature	-30°C ~ 70°C	-30°C ~ 70°C
	Humidity	10% ~ 95%, non-condensing	10% ~ 95%, non-condensing
	Operating Shock	Half-sine wave shock 5G, 11ms, 3 shocks per axis	Half-sine wave shock 5G, 11ms, 3 shocks per axis
	Operating Vibration	MIL-STD-810F 514.5C-2 (with SSD)	MIL-STD-810F 514.5C-2 (with SSD)
	Weight (Net/Gross)	3kg/4.5kg	3kg/4.5kg
	Safety/EM C	CE / FCC / E-Mark	CE / FCC / E-Mark
OS	Supported OS	Microsoft® Windows® Embedded 8, Microsoft® Windows® Embedded Standard 7 E	Microsoft® Windows® Embedded 8, Microsoft® Windows® Embedded Standard 7 E

Fully Integrated I/O

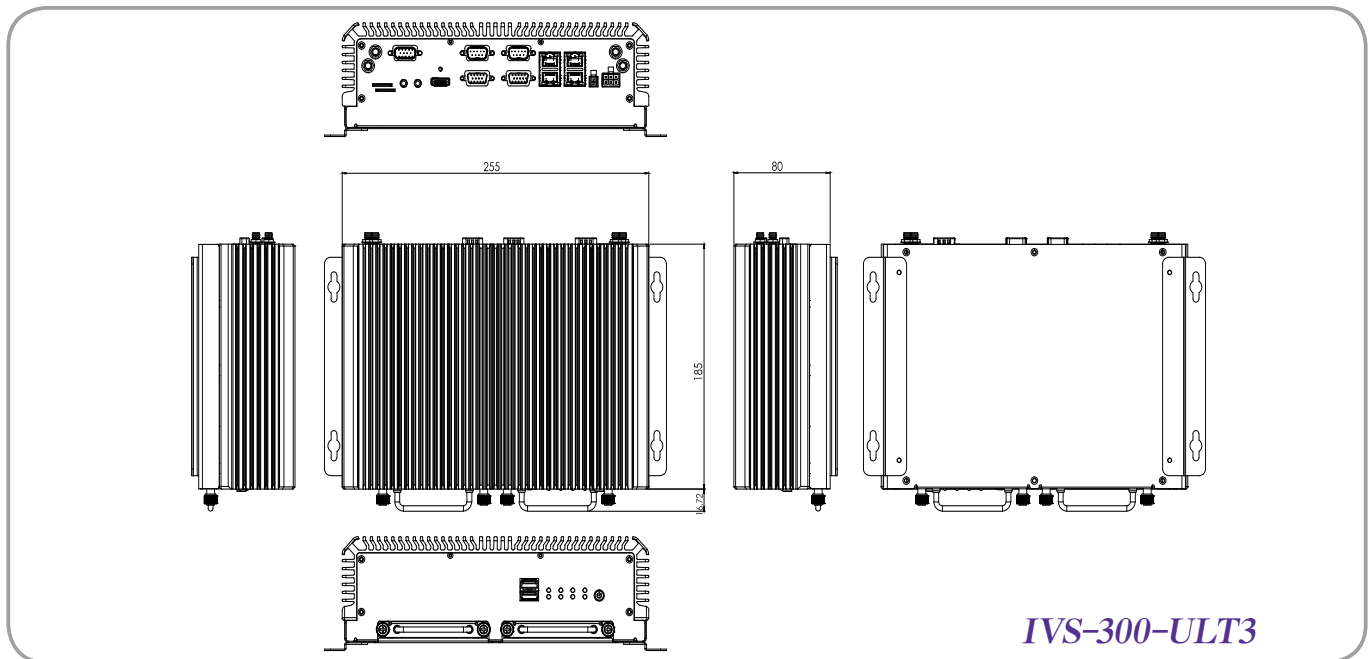
Front view



Rear view



Dimensions (Unit: mm)



Ordering Information

Part No.	Description
IVS-300-BT-J1/4G-R10	Fanless embedded system with Intel® Celeron® Processor J1900 (10W) Processor with 4GB DDR3L pre-installed memory, PoE, on board GPS, HDMI, VGA, two 2.5" removable SATA HDD bay, RoHS
IVS-300-ULT3-i5/4G-R10	Fanless embedded system with 6th generation 14nm Intel® Core™ i5-6300U (15W) mobile processor (ULT) with 4GB DDR4 pre-installed memory, PoE, on-board GPS, HDMI, VGA, two 2.5" removable SATA HDD bay, RoHS

Options

Part No.	Description
IVS-300-ULT3-WES7E64-R10	OS Image with Windows® Embedded Standard 7 E 64-bit for IVS-300-ULT3, with DVD-ROM, RoHS
IVS-300-BT-WES7E64-R10	OS Image with Windows® Embedded Standard 7 E 64-bit for IVS-300-BT, with DVD-ROM, RoHS
IVS-WIFI-KIT02-R10	1T1R Wi-Fi module kit for embedded system, IEEE802.11a/b/g/n/ac Wi-Fi with Bluetooth 4.0/3.0+HS, 1 x Wi-Fi module, 1 x Antenna, RoHS
IVS-3G-KIT02-R10	3G module kit for embedded system, F260, 1 x 3G module, RoHS
IVIPOWER-6PIN-R10	Power adapter with 6-pin transfer cable, RoHS

Packing List

Item	Part No.	Qty	Description
Wall Mount Kit	41020-0432C2-00-RS	2	Wall mount bracket
Power Cable	32002-007200-101-RS	1	Round cable, power cable, 1, 3000mm, 18AWG, (A) MOLEX 5557-0600 P=4.2, H.S.TUBE x 2, Label: GND x 3 + VIN x 2 + ACC, RoHS
GPS/GSM Antenna	32506-000100-100-RS	1	Integration antenna, GPS/GSM, RG 174, 5000mm/5000mm, PPF-5423SA5X-999, Magnetic mount: φ55x22mm, 1575.42MHz/850MHz/900MHz/1800MHz/1900MHz, SMA plug x 2
Screw pack	44015-030053-RS	8	Screw pack
	44005-030061-RS	6	Screw pack