



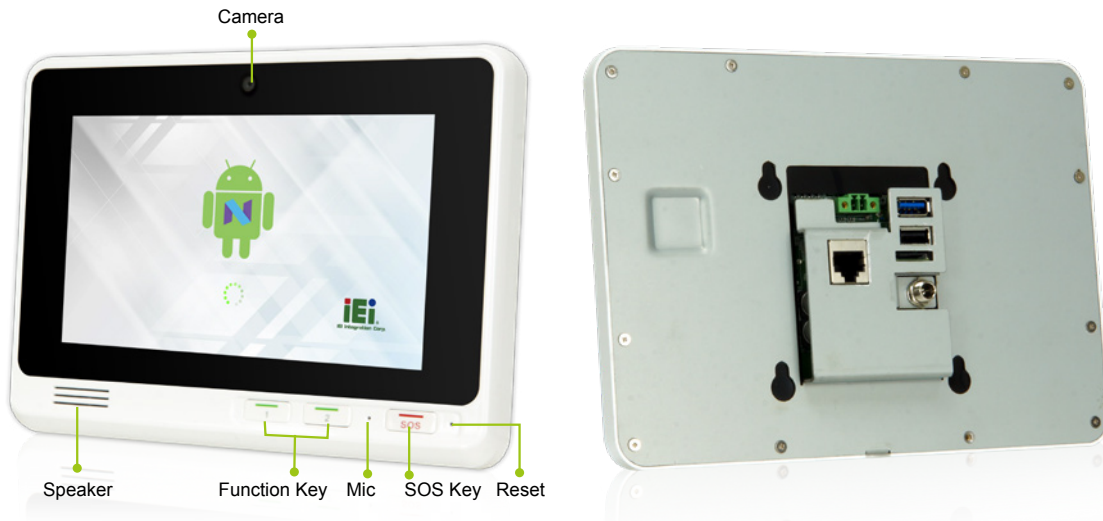
Features

- OS: Android 7.1
- CPU: Rockchip RK3399 (Dual-core Cortex-A72 up to 1.8GHz + Quad-core Cortex-A53 up to 1.5GHz)
- Boot Flash: 16G eMMC Nand Flash
- RAM: 2GB LPDDR3-1866
- 1 x SOS Key (with red bar):
Press for calling help in case emergency
- 2 x Function Keys (with green bar):
Default hot key by AP programming

Specifications



Model		IOVU-207AR-RK39
Chassis	Color	White
	Dimensions (WxHxD) (mm)	210.7 x 154.7 x 29.6
	System Fan	Fanless
	Chassis Construction	PC + ABS plastic front, Metal rear
Display	Size	7"
	Resolution	720 RGB (H) x 1280 (V)
	Brightness (cd/m ²)	300 cd/m ² (typ.)
	Contrast Ratio	800:1 (typ.)
	Pixel Pitch (mm)	0.1239 (H) x 0.119 (V)
	Viewing Angle (H/V)	70/70/70/70 Deg.
Motherboard	Touchscreen	Projected capacitive
	CPU	Rockchip RK3399 (Dual-core Cortex-A72 up to 1.8GHz + Quad-core Cortex-A53 up to 1.5GHz)
Storage	System Memory	2GB LPDDR3-1866
	SD Card	1 x Micro SD slot
Communication	Flash	16GB eMMC NAND FLASH
	WLAN	802.11 a/b/g/n/ac
I/O Interfaces	Bluetooth	Bluetooth V4.1
	COM port	2 x UART pin header with 3V (internal)
	Ethernet	1 x GbE RJ45 by RTL8211E
	USB 3.0	1 x USB 3.0 Type A
	USB 2.0	1 x USB 2.0 Type A 2 x USB 2.0 pin header (internal)
	Others	2 pin terminal block for SOS key
Multimedia	Audio	1 x Speaker (2 W) , 1 x Digital Mic in
	Camera	Front 5-megapixel (CMOS)
LED Indicator & Button	Indicator	1 x Power LED 1 x Mail 1 x Phone 1 x Exclamation Mark
	Button	1 x Reset Button 1 x SOS button (red bar) 2 x Function Key (green bar)
Power	Power Input	DC 9 V~30 V, φ2.5/5.5mm DC Jack
	Power Consumption	12V @ 1.05A
Reliability	Mounting	VESA Mount 75mmx75mm
	Operating Temperature	-10°C ~ 50°C with air flow
	Storage Temperature	-20°C ~ 60°C
	Humidity	10% ~ 90%, non-condensing
	Weight (Net)	0.72 kg
	Safety/EMC	CE/FCC Class B
OS	Supported OS	Android 7.1
	Watch dog timer	Yes



Ordering Information

Part No.	Description
IOVU-207AR-RK39-R10-TW	7" TFT-LCD; Rockchip 3399 Processor, 2GB LPDDR3 , 16GB eMMC Flash, Camera, WIFI/BT, Gigabit Ethernet, TW reg, ROHS
IOVU-207AR-RK39-R10-CN	7" TFT-LCD; Rockchip 3399 Processor, 2GB LPDDR3 , 16GB eMMC Flash, Camera, WIFI/BT, Gigabit Ethernet, CN reg, ROHS
IOVU-207AR-RK39-R10-EU	7" TFT-LCD; Rockchip 3399 Processor, 2GB LPDDR3 , 16GB eMMC Flash, Camera, WIFI/BT, Gigabit Ethernet, EU reg, ROHS
IOVU-207AR-RK39-R10-US	7" TFT-LCD; Rockchip 3399 Processor, 2GB LPDDR3 , 16GB eMMC Flash, Camera, WIFI/BT, Gigabit Ethernet, US reg, ROHS

Packing List

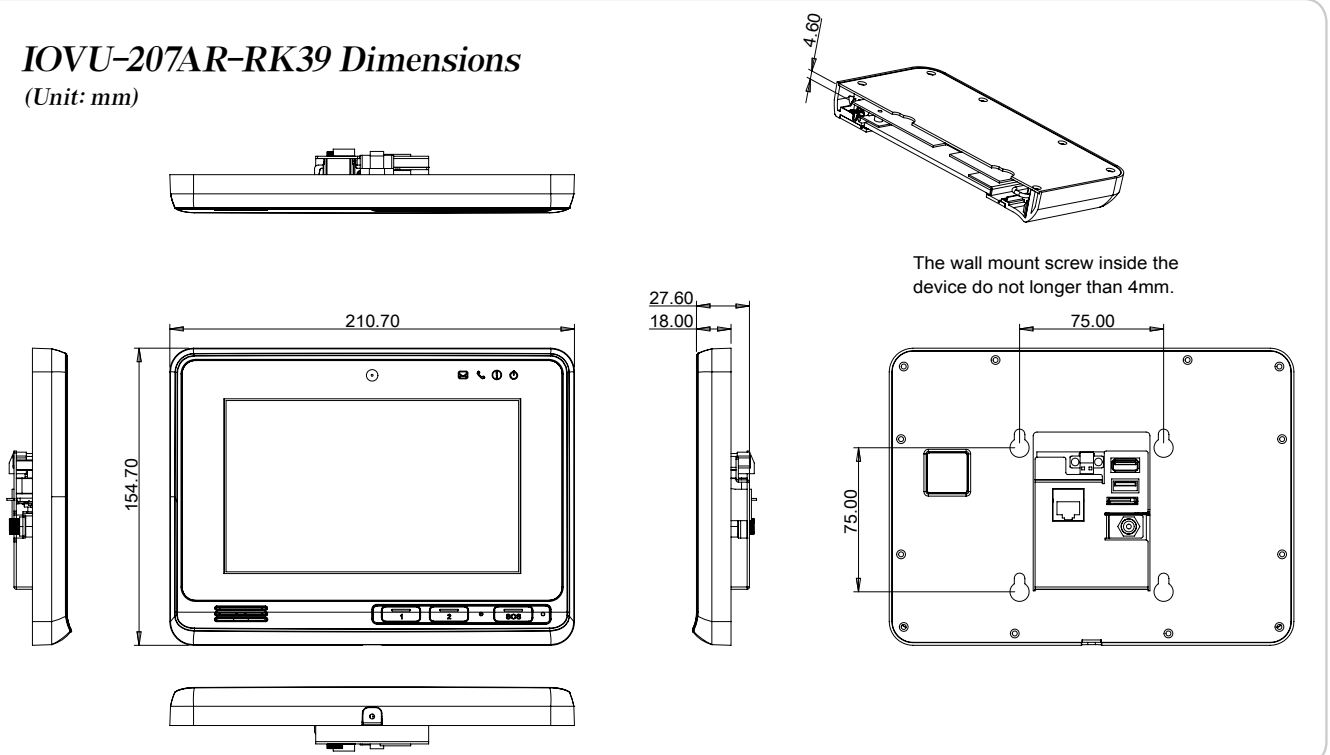
- 1 x IOVU-207AR Device
- 1 x Wall mount bracket
- 1 x Screw set

Options

Item	Part No.	Description
Power Adapter	63040-010060-120-RS	Vin:90~264VAC;60W;Φ2.5/Φ5.5/lock

IOVU-207AR-RK39 Dimensions

(Unit: mm)



IOVU- 207AR-RK39

