

ECW-281B-BT

Fanless Embedded System with Intel® Celeron® J1900 Processor



Features

- Fanless system with Intel® Celeron® J1900 Processor
- Supports four COM ports (three RS-232, one RS-422/485)
- 12V DC and 9 V~36 V DC models available
- Wide operating temperature: -20°C ~ 60°C with SSD

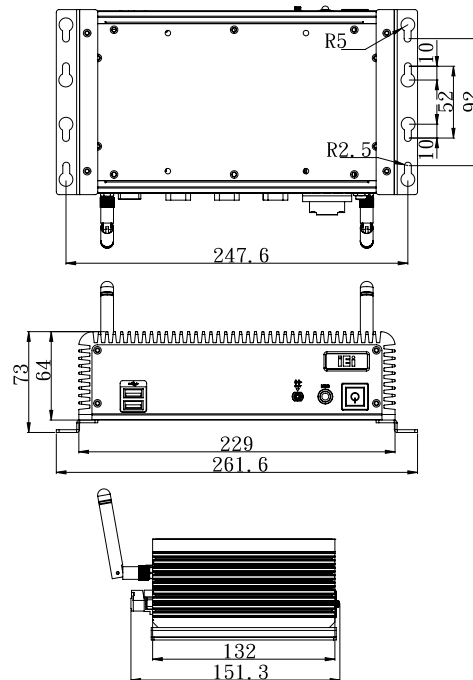


Specifications

Model Name		ECW-281B-BT	
Chassis	Color	Black	
	Dimensions (WxHxD) (mm)	229 x 132 x 64	
	System Fan	Fanless	
	Chassis Construction	Aluminum alloy with heavy duty metal	
Motherboard	Motherboard Model	WAFER-BT-i1	
	SBC Size (mm)	3.5", 146 x 102	
	CPU	Intel® Celeron® J1900 processor (quad-core, 2 MB cache, TDP=10W, up to 2.42GHz)	
	Chipset	SoC	
System Memory	System Memory	1 x 204-pin 1066/1333 MHz single-channel DDR3L SO-DIMM (system max. 8 GB)	
	IPMI	iRIS Solution	1 x iRIS-1010-R10 (optional)
Storage	Hard Drive	1 x 2.5" SATA 3Gb/s HDD bay	
	I/O Interfaces	USB 3.0	1
USB 2.0		3	
Ethernet		LAN 1:	PCIe GbE by Intel® I210 controller
		LAN 2:	PCIe GbE by Intel® I211 controller
COM Port		3 x RS-232	
		1 x RS-422/485	
Digital I/O		8-bit digital I/O	
Display		1 x VGA	
Resolution		VGA: Up to 2560x1600@60Hz	
Audio		1 x Line out	
Wireless		1 x 802.11b/g/n (optional)	
Expansion		PCIe Mini	1 x Full-size PCIe Mini card slot (supports mSATA)* 1 x Half-size PCIe Mini card (only for iRIS)
	Power	Power Input	DC jack: 12 V DC 3-pin terminal: 9 V~36 V DC
Consumption		12V@1.45A (with Intel® Celeron® J1900 CPU and one 8 GB 1333 MHz DDR3 memory)	
Reliability	Mounting	Wall mount, VESA 100	
	Operating Temperature	-20°C~60°C with air flow (SSD), 10% ~ 95%, non-condensing	
	Storage Temperature	-20°C ~ 60°C	
	Operating Shock	Half sine wave 5G, 11ms 3-axis (non-operational)	
	Operating Vibration	MIL-STD-810F 514.5C-1 (HDD)	
	Weight (Net/Gross)	2.1 kg / 3.9 kg	

*ECW-281BWD-BTi-QGW without Full-size PCIe Mini Card slot expansion

Dimensions (Unit: mm)



Options

Part No.	Description
IRIS-1010-R10	IPMI 2.0 adapter card with AST1010 BMC chip (W/O KVM over IP function) for PCIe Mini socket interface
ECW-281B-BTi-WES7E64-R10	OS Image with Windows® Embedded Standard 7 E 64Bit for ECW-281B Ti Series, with DVD-ROM, RoHS, R10
DK-100-R10	VESA 100 to DIN-Rail mounting kit

Packing List

1 x Power cord only for 12V	1 x Wall mount bracket
1 x 12V 60W power adapter only for 12V	1 x Screw set

Ordering Information

Part No.	Description
12V DC Input ECW-281B-BTi-J1/2GB-R10	Fanless embedded system with WAFER-BTi, Intel® Celeron® J1900 2.42 GHz processor, four serial ports, pre-installed 2GB DDR3L SO-DIMM, 12 V DC-in, 60 W power adapter, black, RoHS
9 V~36 V DC Input ECW-281BWD-BTi-J1/2GB-R10	Fanless embedded system with WAFER-BTi, Intel® Celeron® J1900 2.42 GHz processor, four serial ports, pre-installed 2GB DDR3L SO-DIMM, 9 V ~ 36 V DC-in, black, RoHS
ECW-281BWD-BTi-QGW-R10	Fanless embedded system with WAFER-BTi-R10, with Intel® Celeron J1900 2GHz, 4 serial ports, with 4GB DDR3L pre-installed SO-DIMM memory, with QTS-Gateway, 9~36VDC in, w/o adapter, black, RoHS