



GW-2500iM Series

Modbus TCP to RTU/ASCII Cybersecurity Gateway with 2-port Ethernet Switch and Isolated RS-232/422/485 Ports

Features

- Supports Modbus TCP/UDP master and slave
- Supports Modbus RTU/ASCII master and slave
- Supports Modbus/TCP Security master and slave
- Max. TCP connections (masters) per serial port: 32
- Read-cache ensures faster Modbus TCP/UDP response
- Supports UDP responder for device discovery (UDP Search)
- Static IP or DHCP network configuration
- Built-in Web Server
- Supports network security services such as HTTPS and SNMPv3
- Fast boot (< 5 seconds)

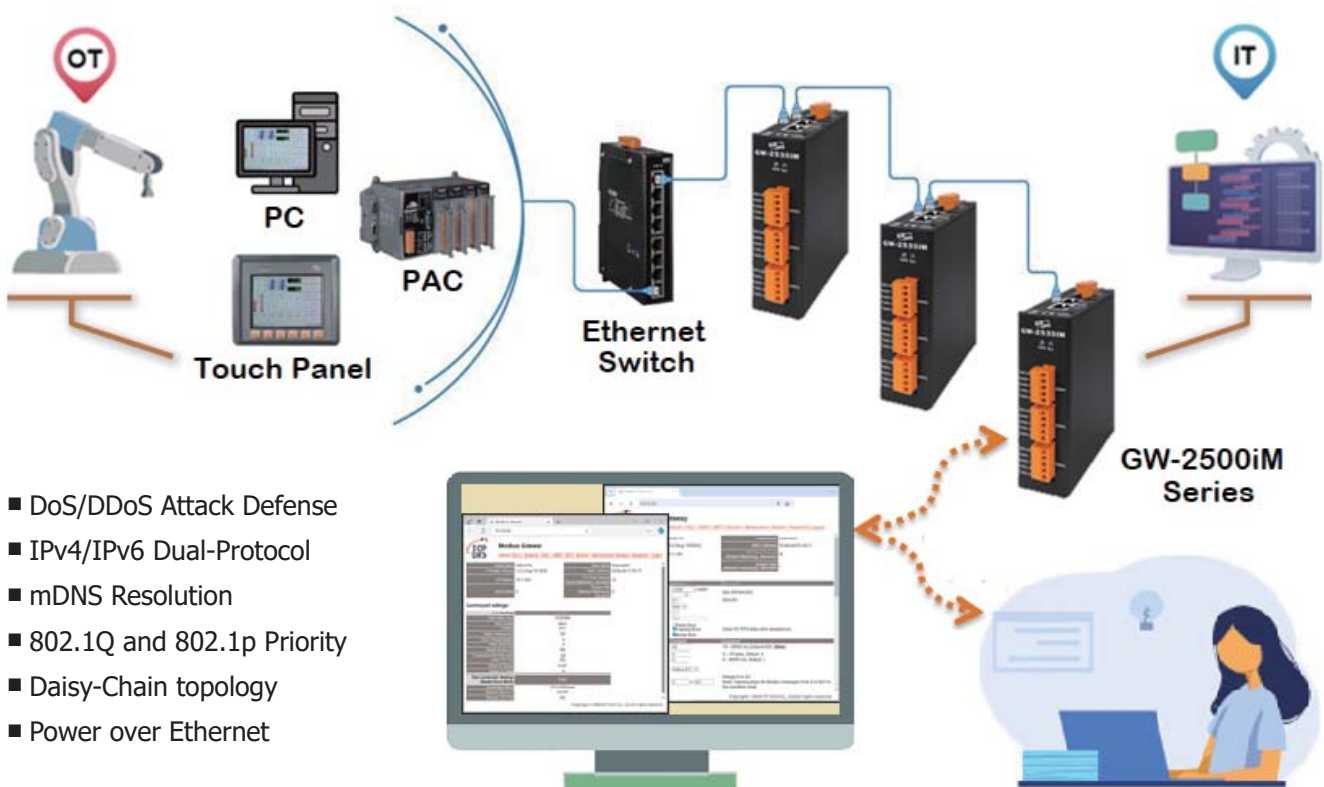


Introduction

The GW-2500iM is a Modbus TCP to Modbus RTU/ASCII module with a built-in web server (HTTP/HTTPS), allowing users to configure the module, enabling remote control systems.

In the event of a power failure in an individual GW-2500iM module, the automatic LAN Bypass function ensures that the Daisy Chain network continues to communicate, maintaining the stability of Ethernet communication.

Additionally, the GW-2500iM features built-in 802.1Q VLAN technology, providing enhanced cybersecurity and real-time industrial communication. Through the VLAN function, network communication resources can be partitioned or reserved, improving flexibility in network management.

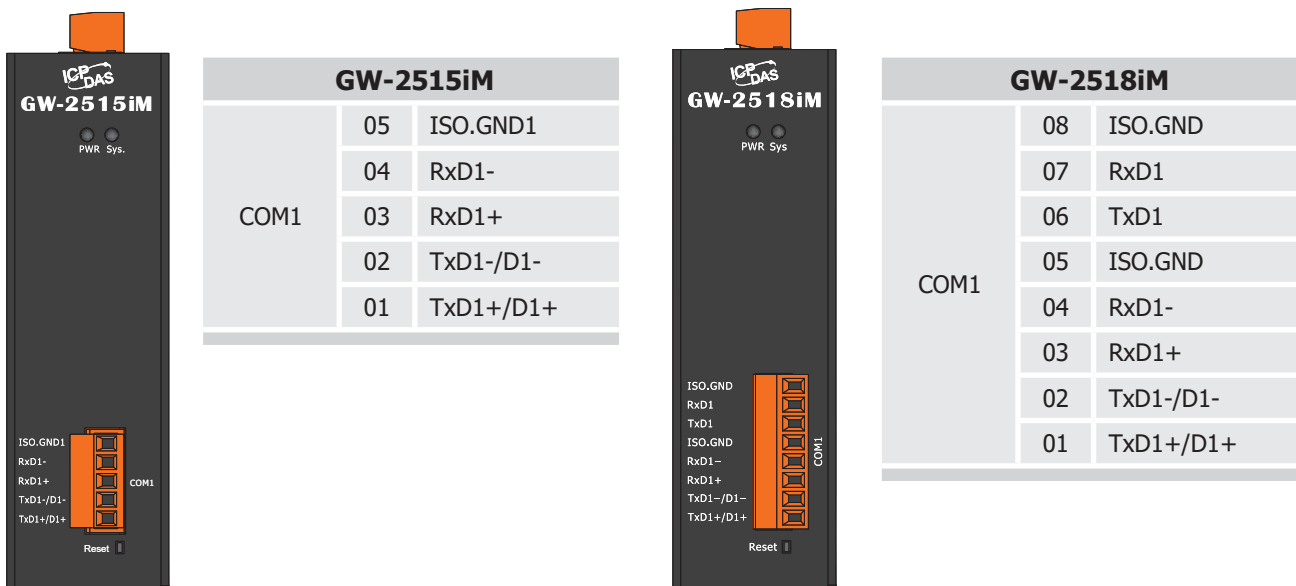


- DoS/DDoS Attack Defense
- IPv4/IPv6 Dual-Protocol
- mDNS Resolution
- 802.1Q and 802.1p Priority
- Daisy-Chain topology
- Power over Ethernet

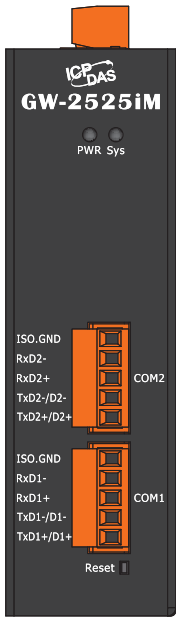
Specifications

Model	GW-2515iM	GW-2525iM	GW-2535iM	GW-2518iM	GW-2528iM
CPU Module					
CPU	32-bit MCU				
COM Ports					
Ports	1 x RS-485/422	2 x RS-485/422	3 x RS-485/422	1 x RS-232/422/485	2 x RS-232/422/485
Band Rate	115200 bps Max.				
Bias Resistor	Yes, 1 K Ω				
Parity	None, Odd, Even, Mark, Space				
Data Bit	5, 6, 7, 8				
Stop Bit	1, 2				
Node Address	254 (max.)				
ESD Protection	+/- 4KV				
Power Isolation	1000 VDC				
Signal Isolation	3000 VDC				
Ethernet					
Ports	10/100 Base-TX, 8-pin RJ-45 x 2, (Auto-negotiating, Auto-MDI/MDIX, LED indicator) PoE (IEEE 802.3af, Class 2)				
Protocol	Modbus TCP, Modbus TCP/TLS, Modbus UDP, OPC UA, SNTP, HTTP/HTTPS, IPv4, IPv6				
Power					
Consumption	0.22 A @ 24 VDC				
Powered from PoE	IEEE 802.3af, Class 2				
Powered from Terminal Block	+12 ~ +48 VDC				
Mechanical					
Casing	Metal				
Dimensions (W x L x H)	106 mm x 33 mm x 119 mm				
Installation	DIN-Rail Mounting				
Environment					
Operating Temperature	-25 ~ +75 °C				
Storage Temperature	-30 ~ +80 °C				
Humidity	10 ~ 90% RH, non-condensing				

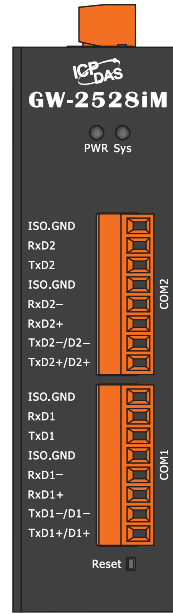
Apparances



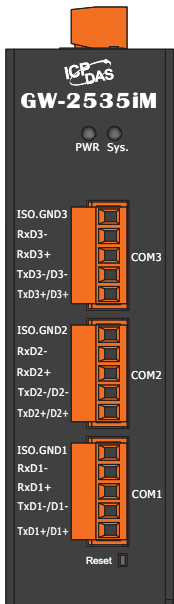
■ Apparances



GW-2525iM		
COM2	10	ISO.GND
	09	RxD2-
	08	RxD2+
	07	TxD2-/D2-
	06	TxD2+/D2+
COM1	05	ISO.GND
	04	RxD1-
	03	RxD1+
	02	TxD1-/D1-
	01	TxD1+/D1+

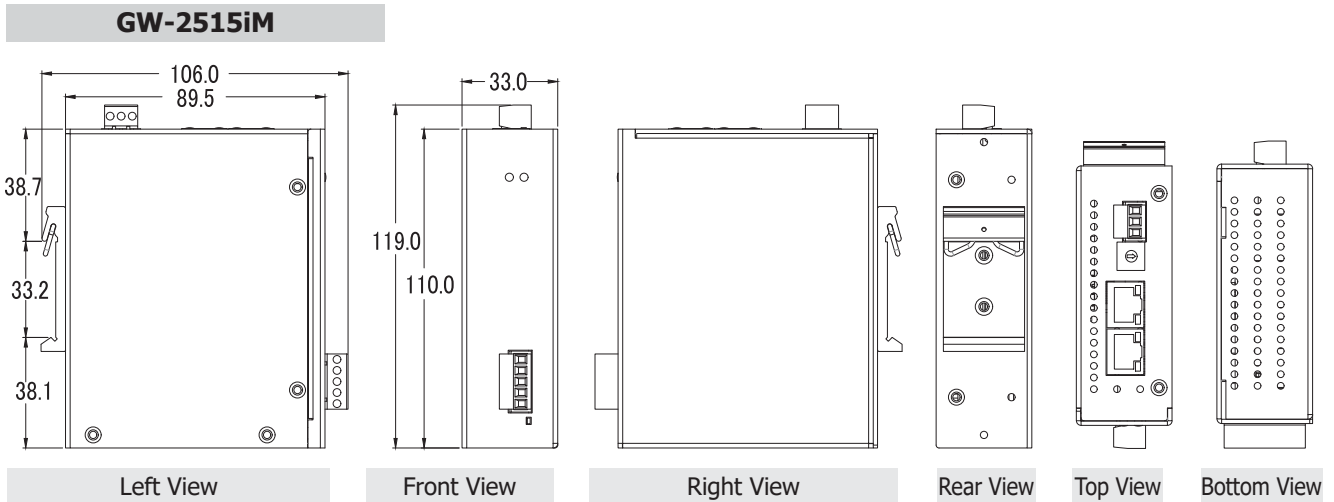


GW-2528iM		
COM2	16	ISO.GND
	15	RxD2
	14	TxD2
	13	ISO.GND
	12	RxD2-
	11	RxD2+
	10	TxD2-/D2-
	09	TxD2+/D2+
	COM1	08
07		RxD1
06		TxD1
05		ISO.GND
04		RxD1-
03		RxD1+
02		TxD1-/D1-
01		TxD1+/D1+



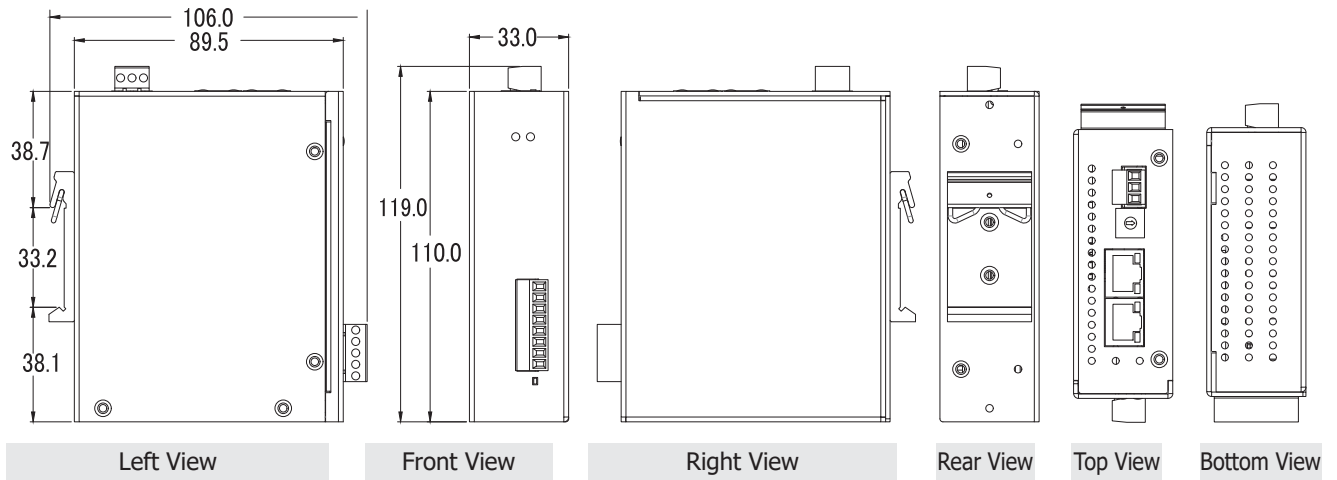
GW-2535iM		
COM3	15	ISO.GND3
	14	RxD3-
	13	RxD3+
	12	TxD3-/D3-
	11	TxD3+/D3+
COM2	10	ISO.GND2
	09	RxD2-
	08	RxD2+
	07	TxD2-/D2-
	06	TxD2+/D2+
COM1	05	ISO.GND1
	04	RxD1-
	03	RxD1+
	02	TxD1-/D1-
	01	TxD1+/D1+

■ Dimensions (Units: mm)

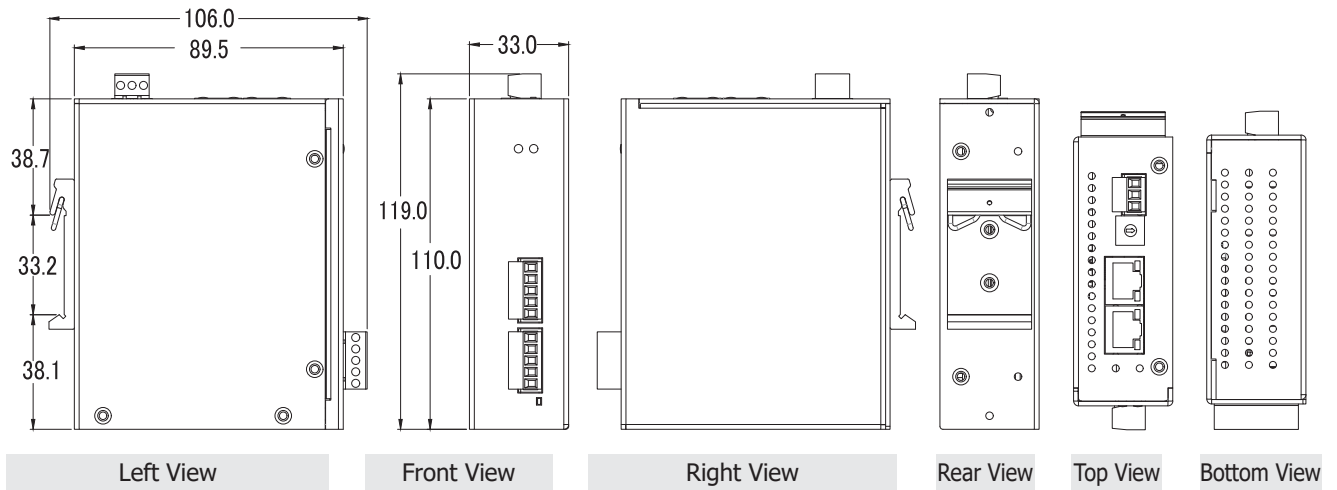


■ Dimensions (Units: mm)

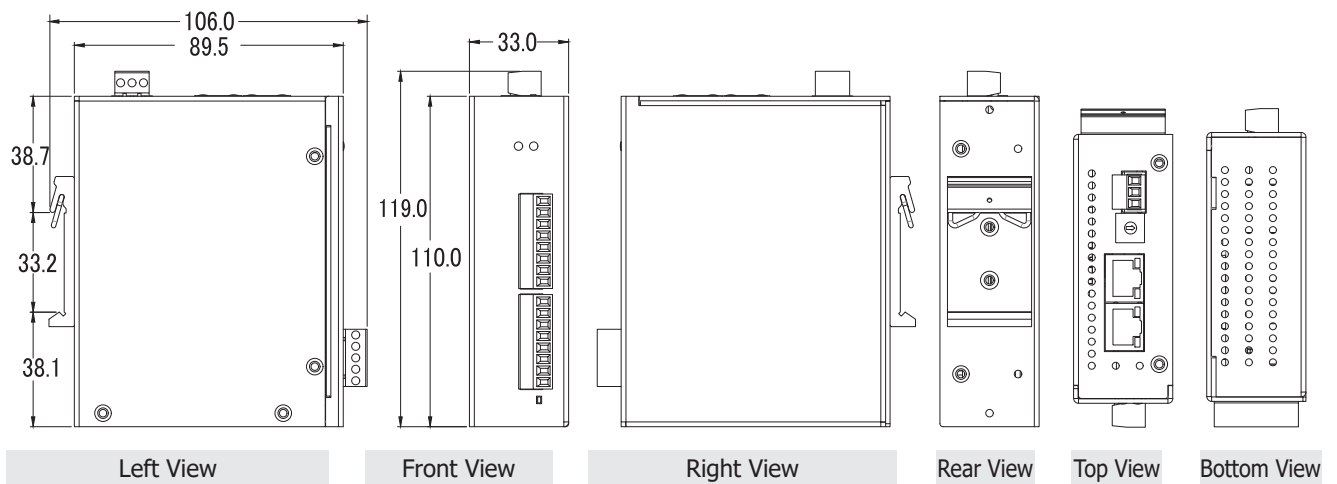
GW-2518iM



GW-2525iM

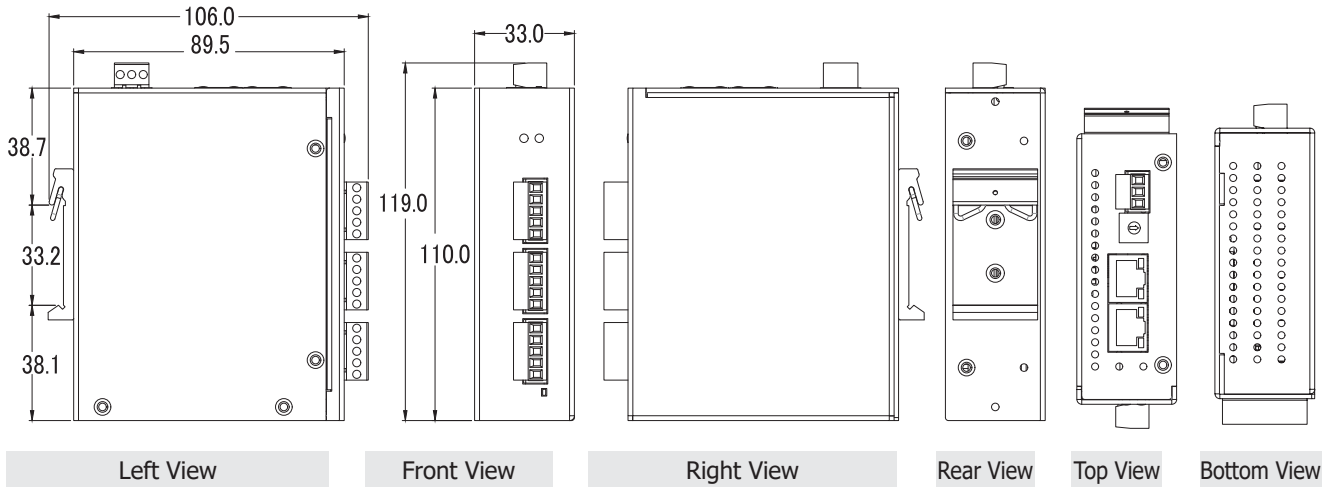


GW-2528iM



■ Dimensions (Units: mm)

GW-2535iM



■ Ordering Information

GW-2515iM CR	Modbus TCP to RTU/ASCII Security Gateway with 2-port Ethernet Switch and 1 Isolated RS-422/485 Port (RoHS)
GW-2525iM CR	Modbus TCP to RTU/ASCII Security Gateway with 2-port Ethernet Switch and 2 Isolated RS-422/485 Port (RoHS)
GW-2535iM CR	Modbus TCP to RTU/ASCII Security Gateway with 2-port Ethernet Switch and 3 Isolated RS-422/485 Ports (RoHS)
GW-2518iM CR	Modbus TCP to RTU/ASCII Security Gateway with 2-port Ethernet Switch and 1 Isolated RS-232/422/485 Ports (RoHS)
GW-2528iM CR	Modbus TCP to RTU/ASCII Security Gateway with 2-port Ethernet Switch and 2 Isolated RS-232/422/485 Ports (RoHS)

■ Accessories

GST25A24-DA1-DIN CR	ES25A48-DA1-DIN CR	NS-205PSE CR	NS-205PSE-24V CR
Power Supply, 85~264 VAC to 24 VDC/ 1.04 A, 25 W, DIN-Rail Mounting (RoHS)	Power Supply, 90~264 VAC to 48 VDC/ 0.52 A, 25 W, DIN-Rail Mounting (RoHS)	Unmanaged 5-port 10/100 Mbps PoE (PSE) Ethernet Switch (RoHS)	Unmanaged 5-port 10/100 Mbps PoE (PSE) Ethernet Switch with +24 VDC Input (RoHS)