



FSM-510G-4F/FSM-510G-2F

6 or 8-port 10/100/1000Base-T + 2 (100/1G) SFP L2 Managed Switch

Features

- IEEE 802.3ab 1000BASE-T Gigabit Ethernet
- Network redundant Ring fail-over protection (< 20 ms)
- Multicast/Broadcast/Flooding Storm Control
- L2+ features provide better manageability, security, QoS, and performance
- Multicasting support IGMP v1/v2, proxy & snooping

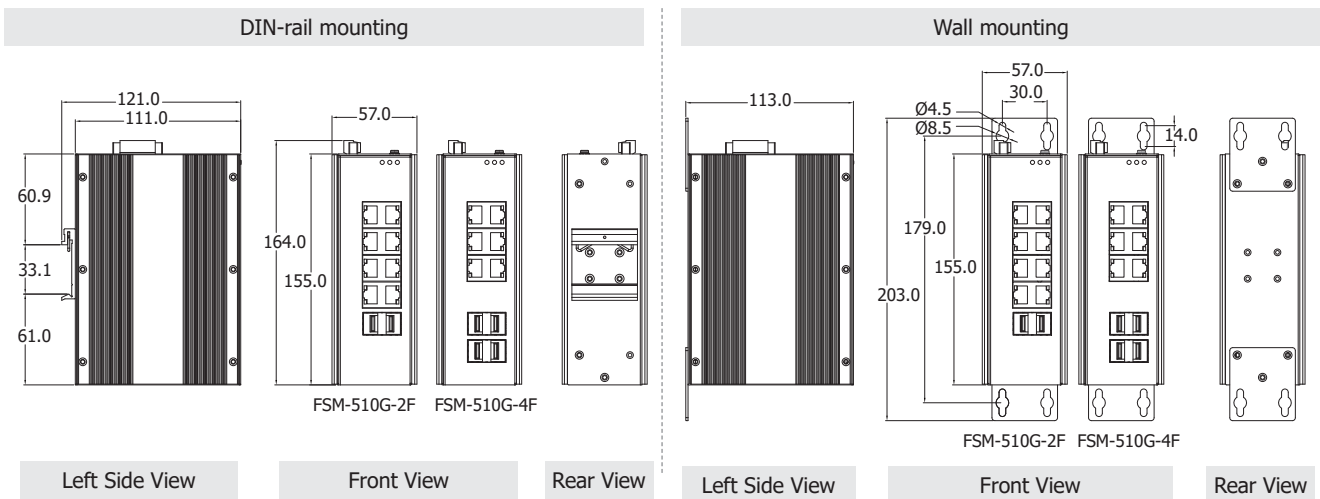


Introduction

FSM-510G-4F is a L2 Managed Switch that meets all IEEE 802.3ab/u/x/z Gigabit, Gigabit Ethernet and Ethernet specifications. It provides 6 gigabit Ethernet ports (10/100/1000 Mbps TP) 4 SFP ports.

The switch can be managed through RS-232 serial port via direct connection, or through Ethernet port using Telnet or Web-Based management unit, associated with SNMP agent. With the SNMP agent, the network administrator can logon the switch to monitor, configure and control each port activity in a friendly way. The overall network management is enhanced and the network efficiency is also improved to accommodate high bandwidth applications. In addition, the switch features comprehensive and useful function such as DHCP Option 82, QoS (Quality of Service), Spanning Tree, VLAN, Port Trunking, Bandwidth Control, Port Security, SNMP/RMON.

Dimensions (Units: mm)




Specifications

Model	FSM-510G-4F	FSM-510G-2F
EMS Protection		
EFT (IEC 61000-4-4)	Yes	
ESD (IEC 61000-4-2)	Yes	
Surge (IEC 61000-4-5)	Yes	
LED Indicators		
Status	POWER, ALARM, TP Port LED	
Ethernet		
Ports	6 x RJ-45, 10/100/1000Base-TX	8 x RJ-45, 10/100/1000Base-TX
Standards	Port Mirroring helps supervisor monitoring network IEEE 802.1Q tag-based VLAN for performance IEEE 802.1X Access Control improve network security IEEE 802.1D Compatible, IEEE802.1w Rapid Spanning Tree & IEEE802.1s Multiple Spanning Tree IEEE 802.3ab 1000BASE-T Gigabit Ethernet (twisted-pair copper) IEEE 802.3z Gigabit Ethernet (fiber) ANSI/IEEE 802.3 Unknown Unicast/Broadcast/Multicast storm control IP-MAC-Port binding for LAN security QCL Based on Application traffic for QoS and rate limitation management Supports DHCP snooping ACL Based on Ethernet Type/ARP/IPv4 for packets permit or deny, rate limitation and port copy Supports "power saving" for Green Ethernet requirement Supports LLDP (Link Layer Discovery Protocol) provides a standards-based method for enabling switches to advertise themselves.	
Processing Type	Store & forward	
MAC Table	8 K	
Protocol	VLAN, QoS, Port Trunk, NTP, TELNET, SNMP, IGMP, IEEE802.1X, LLDP	
Redundant Strategy	STP, RSTP	
Isolation	1500 Vrms 1 minute	
Fiber		
Ports	4 x 100/1000 Mbps SFP Fiber Module slots	2 x 100/1000 Mbps SFP Fiber Module slots
COM Ports		
Ports	1 x RS-232	
Power		
Input Range	+12 VDC ~ +48 VDC	
Consumption	10.5 W	
Mechanical		
Casing	Metal	
Dimensions (mm)	DIN-rail mounting: 57 x 164 x 121 (W x L x H) Wall mounting: 57 x 203 x 113 (W x L x H)	
Installation	DIN-rail mounting or wall mounting	
Ingress Protection Rating	IP30	
Environment		
Operating Temperature	-40 °C ~ +75 °C	
Storage Temperature	-40 °C ~ +85 °C	
Humidity	5 ~ 95% RH, non-condensing	

Ordering Information

FSM-510G-2F CR	8-port 10/100/1000Base-T + 2 (100/1G) SFP L2 Plus Managed Switch (RoHS) Includes Console Cable and 4SIN1K0000075 Wall mount (W: 44 mm)
FSM-510G-4F CR	6-Port 10/100/1000 Base-T + 4 SFP (100/1G) Port L2 Plus Managed Switch (RoHS) Includes Console Cable and 4SIN1K0000075 Wall mount (W: 44 mm)

Accessories

SFP-100M13M-FX CR	100Base-FX, Multi-mode 1310 nm, 2 km SFP module (RoHS)	
SFP-1G85M-SX CR	1000Base-SX, Multi-mode 850 nm, 0.5 km SFP module (RoHS)	
SFP-1G13M-SX2 CR	1000Base-SX2, Multi-mode 1310 nm, 2 km SFP module (RoHS)	
SFP-1G13S-LX CR	1000Base-LX, Single-mode 1310 nm, 10 km SFP module (RoHS)	
SFP-1G13S-LX20 CR	1000Base-LX20, Single-mode 1310 nm, 20 km SFP module (RoHS)	