



F-8015

8-ch Isolated RTD Input Redundant Module

Feature

- 8 RTD input channels
- User defined up/down scale
- 16 bit A/D Converter
- Termination board break off detection
- Redundant switching time (<100 us)



Introduction

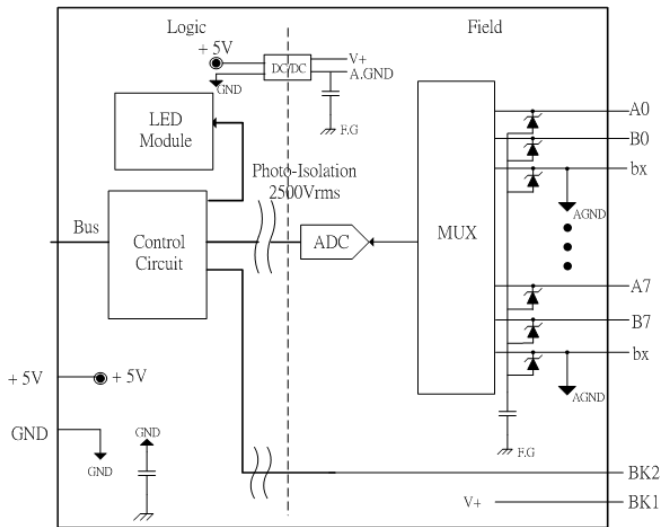
F-8015 is a 16-bit 8-channel RTD input module. Each channel has a self-programmable input range and an accuracy of $\pm 0.05\%$. It also provides 3000 V_{DC} isolation between the power supply and the backplane bus, making it better able to prevent noise interference in industrial environments without affecting the iDCS-8000 system.

Specifications

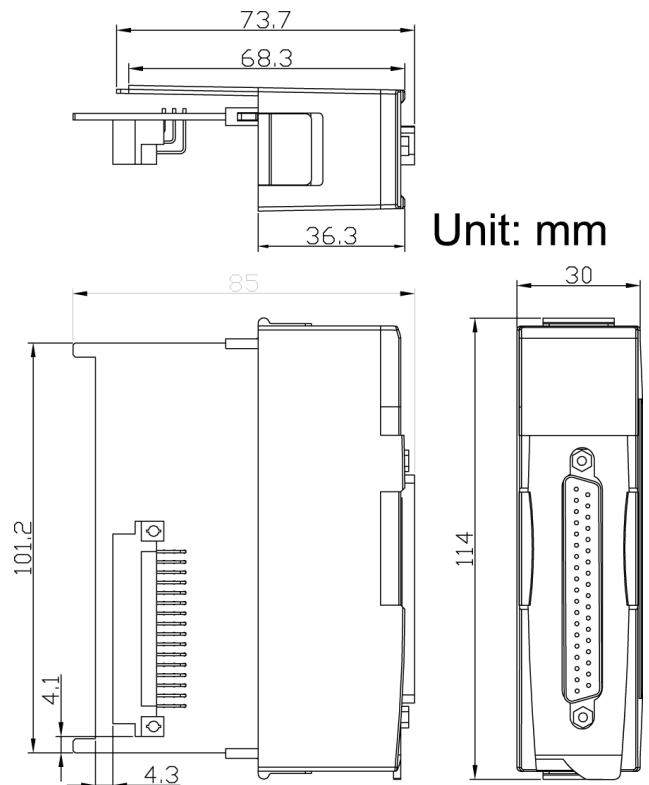
Feature		
Redundant	Yes (Switching time < 100us)	
Termination board break off detection	Yes	
Over-Current Protection	Yes	
LED indicator	1 RUN, 1 ACT, 1 DUX	
Analog Input		
Number of channels	8	
Connection	3-Wire	
Type	Pt 100	IEC 60751 ITS90 (0.03851 $\Omega/\Omega/^\circ\text{C}$)
	JPt 100	JIS C 1604 (0.03916 $\Omega/\Omega/^\circ\text{C}$)
	Pt 1000	IEC 60751 ITS90 (0.03851 $\Omega/\Omega/^\circ\text{C}$)
Range	Pt 100	-200 ~ +850
	JPt 100, Pt 1000	-200 ~ +630
Resolution	16 bit	
Sampling Rate	8 Samples/Sec.	
Accuracy	$\pm 0.05\%$ FSR	
Zero Drift	$\pm 0.5 \mu\text{V}/^\circ\text{C}$	
Span Drift	$\pm 20 \text{ ppm}/^\circ\text{C}$	

Analog Input	
Common Mode Rejection	106 dB
Normal Mode Rejection	90 dB
Input Impedance	20M Ω
Date Range	-2500~12500
Isolation	3000 V _{DC}
Certification	
Emission	IEC 61000-6-4
Immunity	IEC 61000-6-2
	IEC 61000-4-3
	IEC 61000-4-4
	IEC 61000-4-6
	IEC 61000-4-9
	IEC 61000-4-10
IEC 61000-4-12	
General	
Termination Board	DN-RTD-M
Max. Power Consumption	1 W
Operating Temp.	-25 ~ 75 $^\circ\text{C}$
Storage Temp.	-30 ~ 80 $^\circ\text{C}$
Humidity	5 ~ 95 % RH, Non-condensing
Weight	300g
Dimensions (WxLxH)	30mm x 85mm x 115mm

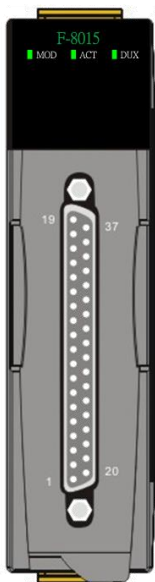
Internal I/O Structure



Dimension (unit: mm)



Pin Assignment



Pin Assignment Name	Terminal No.	Pin Assignment Name
X	19	37
X	18	BK2
X	17	bx
A7	16	35
X	15	B7
A6	14	34
X	13	X
A5	12	33
X	11	B6
A4	10	32
X	09	X
A3	08	31
X	07	B5
A2	06	30
X	05	X
A1	04	29
X	03	B4
A0	02	28
BK1	01	27
		B3
		26
		X
		25
		B2
		24
		X
		23
		B1
		22
		X
		21
		B0
		20
		X

37-pin male D-Sub Connector

Ordering Information

F-8015 CR	8-ch Isolated RTD Input Redundant Module (RoHS)
-----------	---

Accessories

CA-3710AM CR	DB37 Male to Female, with Molded Cable, 45°, 1M (RoHS)
DN-RTD-M CR	Termination board for RTD module (RoHS)