



CAN-Logger100 CAN-Logger200
CAN Bus Data Logger Device

■ Features

- Full compatible with the ISO 11898-2 standard
- Supports CAN bus acceptance filter configuration
- Max. CAN data flow for a single channel is 15000 fps
- Programmable CAN bus baud rate from 10 kbps ~ 1Mbps
- USB 2.0 High Speed Compatibility
- Supports 4 to 32 GB SDHC type flash for saving CAN messages
- Built-in jumper for the 120 Ω terminal resistor of the CAN side
- Power by the USB port or CAN port
- 3 kV galvanic and 2500 Vrms photocoupler isolation for the CAN port
- Provides a configuration utility that can be used to transmit/receive CAN messages



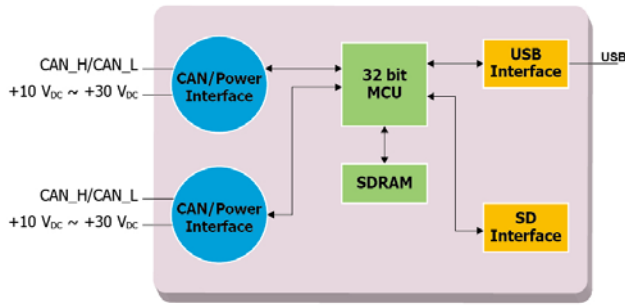
■ Introduction

The CAN-Logger series devices (CAN-Logger100 / CAN-Logger200) are high-performance intelligent CAN bus data logger device with one/two CAN port that can help to make data collection and to process on a CAN bus network easier and quicker. The powerful CPU of the CAN-Logger devices provide the accurately time-stamp for each CAN message and supports storage media like SD or SDHC type flash for saving these CAN messages that is useful to analysis and diagnostic the CAN Bus network. In order to enhance the portability of the CAN-Logger device, this module is powered by the USB interface or M12 connectors of CAN bus interface.

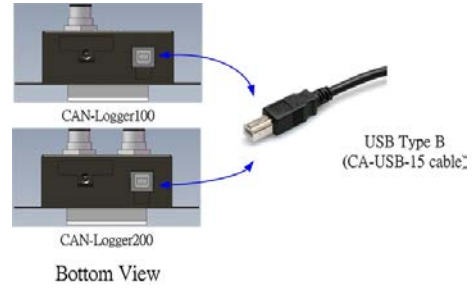
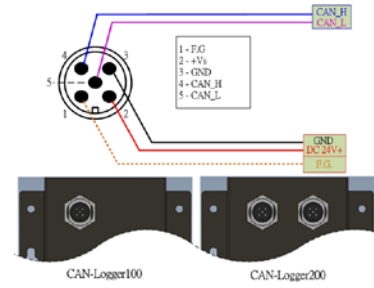
■ Hardware Specifications

Module Name	CAN-Logger100	CAN-Logger200
CAN Interface		
Transceiver	NXP TJA1042	
Channel Number	1	2
Connector	5-Pin male M12 x 1 (Pin 1: F.G., Pin 2: +Vs, Pin 3: GND, Pin 4: CAN_H Pin 5: CAN_L)	5-Pin male M12 x 2 (Pin 1: F.G., Pin 2: +Vs, Pin 3: GND, Pin 4: CAN_H Pin 5: CAN_L)
Transmission Speed (bps)	10 k, 20 k, 50 k, 100 k, 125 k, 250 k, 500 k, 800 k, 1 M and user-defined baud rate	
Specification	ISO-11898-2, CAN 2.0A and CAN 2.0B	
USB Interface		
Connector	USB Type B x 1	
Compatibility	USB 2.0 High Speed	
Data Logger Capability		
Storage Media	SDHC type flash – support 4 to 32 GB	
Recording Format	Binary	
Time Stamp	10 us	
Configuration	Utility tool	
Trigger	Log continuously	
LED		
Round LED	Power, MS, SD, CAN1, CAN2, CAN_ST LEDs	Power, MS, SD, CAN_Rx, CAN_Tx, CAN_ST LEDs
Power		
Power supply	USB power or CAN bus power (Unregulated +10 ~ +30 VDC) delivery	
Protection	Power reverse polarity protection, Over-voltage brown-out protection	
Power Consumption	0.1A @ 24VDC	
Mechanism		
Installation	DIN-Rail	
Casing	Metal	
Dimensions	102.0 mm x 102.0 mm x 44.0 mm (W x L x H)	
Environment		
Operating Temperature	-25 ~ 75 °C	
Storage Temperature	-30 ~ 80 °C	
Humidity	10 ~ 90% RH, non-condensing	

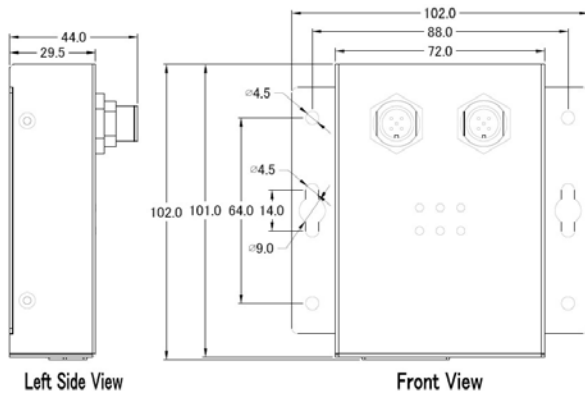
Block Diagram



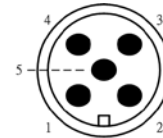
Wire Connection



Dimensions (Units: mm)



Pin Assignments



Pin No	Name	Description
1	F.G.	Frame Ground.
2	+Vs	Voltage Source Input. +10VDC ~ +30VDC
3	GND	Power Ground.
4	CAN_H	CAN_High, signal line of CAN port.
5	CAN_L	CAN_Low, signal line of CAN port.

Application



Ordering Information

CAN-Logger100 CR	1-port CAN Bus Data Logger device (RoHS)
CAN-Logger200 CR	2-port CAN Bus Data Logger device (RoHS)