

Nano N3022

Intel 10th generation core i3 / i5 processor Mini PC



Features

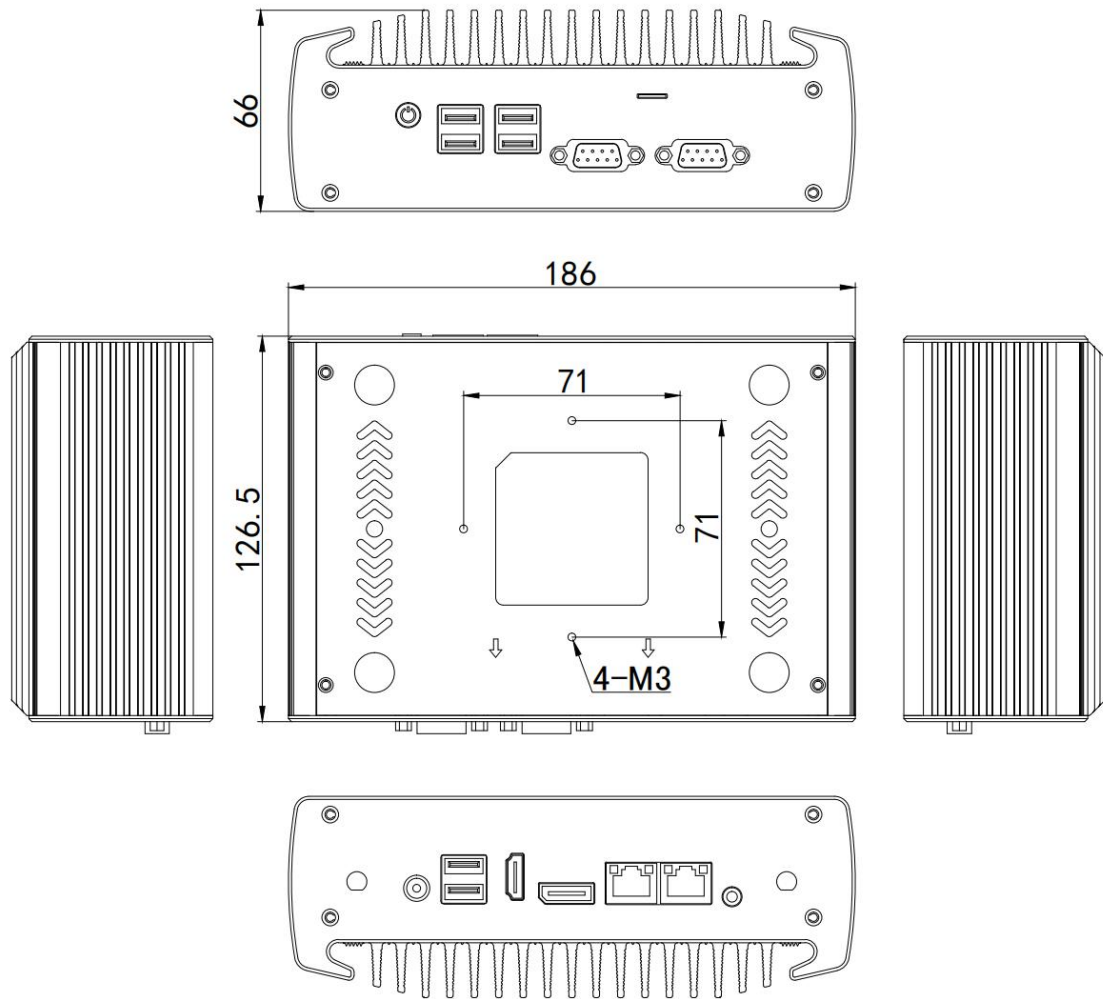
All aluminum structure, fanless design ;
Onboard Intel 10th Core i3-10110U, i5-10210U
Support TPM2.0, support windows 11
Support 1*DDR4 memory slot, Max.Support 32G;
Support 1*M.2 2280 slot, 1*2.5"HDD;
Support 2*COM (2*COM RS232/485 is Optional);
Support DC 12V Input;
Support OS:



Specification

Model	Nano N3022
Color	Black (color can be customized)
Material	High-quality all aluminum
Processor	Intel Core i3 10110U (Dual core 4 threads, 2.1G, Max. Turbo 4.1G, 4MB Cache) Intel Core i5 10210U (Quad core 8 threads, 1.6G,Max. Turbo 4.2G, 6MB Cache)
CPU Architecture	Comet Lake
RAM	Support 1*DDR4 2133/2400 SODIMM memory slot, Max. Support 32GB
BIOS	AMI EFI BIOS
Display Chip	Intel UHD Graphics for 10th Gen Intel Processors
Display Port	1*DP, 1*HDMI
Front I/O	2*COM (2*COM RS232/485 is Optional), 4*USB3.0, 1*Power Switch, 1*SIM slot
Rear I/O	1*DC-IN 12V, 2*USB2.0, 1*HDMI, 1*DP, 2*Intel 1000M LAN, 1*Audio (Support Mic and Speaker at the same time)
Expansion Slot	Support 1*M.2 2280 slot (Support M.2 PCIE X4 and M.2 SATA SSD); Support 1*MINI PCIE slot (WIFI/3G/4G choose one from three),embedded SIM socket;
Network	2*Intel i211-AT 10/100/1000M LAN
Storage	Support 1*M.2 2280 slot, 1*2.5"HDD, support RAID 0/1
Power Supply	DC 12V
Work Temp	0°C ~ +40°C(HDD), -20°C ~ +50°C(Industrial grade SSD), surface air flow
Work Humidity	5% ~ 95% non-condensing
Dimension	186 * 126.5 * 66 mm
Net Weight	1.3 kg

N3022 Drawing



Accessories List

Name	Quantity	Specification
Power Adapter	1	i3 10110U suggest use 12V 5A
		i5 10210U suggest use 12V 5A
Power Cord	1	Any Plug is optional (Chinese, British, USA standard etc)

Order Information

Configuration one	N15	Intel Core i3 10110U	Standard Port
Configuration two		Intel Core i5 10210U	Standard Port

Application:

Business Office, HD Video Playback, Electronic Education, Industrial Automation etc.