

GEC-51N15/i5



Features

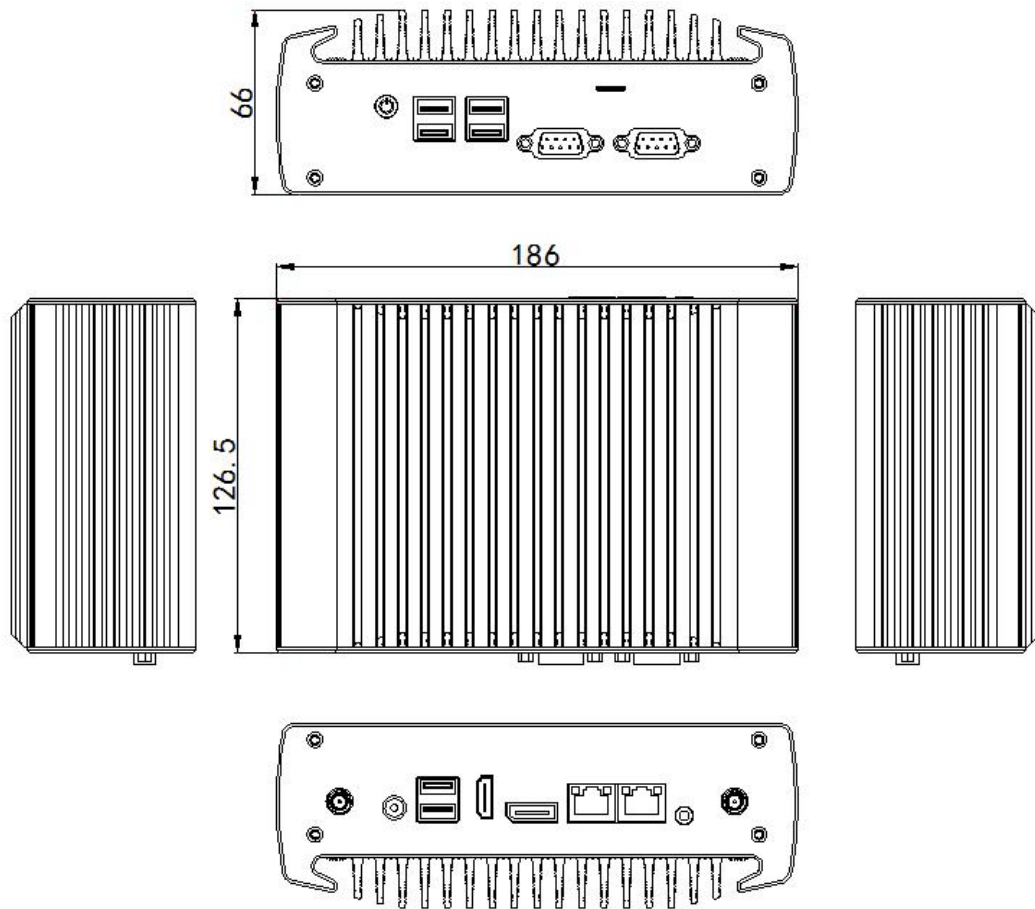
All aluminum structure, fanless design ;
Onboard Intel 8th Core i5/i7 ;
Support 1*DDR4 memory slot, Max. Support 16G ;
Support 1*M.2 2280 slot, 1*2.5"HDD ;
Support 2*COM (2*COM RS232/485 is Optional) ;
Support DC 12V Input ;
Support OS:



Specification

Model	GEC-51N15/i5
Color	Black (color can be customized)
Material	High-quality all aluminum
Processor	Intel Core i5 8250U (Quad core eight threads, 1.6G, Max. Turbo 3.4G, 6MB Cache) Intel Core i7 8550U (Quad core eight threads, 1.8G, Max. Turbo 4.0G, 8MB Cache)
CPU Architecture	KabyLake-R
RAM	Support 1*DDR4 2133/2400 SODIMM memory slot, Max. Support 16GB
BIOS	AMI EFI BIOS
Display Chip	Integrated Intel HD Graphics 620
Display Port	1*DP, 1*HDMI
Front I/O	2*COM (2*COM RS232/485 is Optional), 4*USB3.0, 1*Power Switch, 1*SIM slot
Rear I/O	1*DC-IN 12V, 2*USB2.0, 1*HDMI, 1*DP, 2*Intel 1000M LAN, 1*Audio (Support Mic and Speaker at the same time)
Expansion Slot	Support 1*M.2 2280 slot (Support M.2 PCIE X4 and M.2 SATA SSD) ; Support 1*MINI PCIE slot (WIFI/3G/4G choose one from three), embedded SIM socket;
Network	2*Intel i211-AT 10/100/1000M LAN
Storage	Support 1*M.2 2280 slot, 1*2.5"HDD
Power Supply	DC 12V
Work Temp	0°C ~ +40°C (HDD), -20°C ~ +50°C (SSD), surface air flow
Work Humidity	5% ~ 95% non-condensing
Dimension	186 * 126.5 * 66 mm
Net Weight	1.3 kg

GEC-51N15/i5 Drawing



Application:

Business Office, HD Video Playback, Electronic Education, Industrial Automation etc.

Accessories List

Name	Quantity	Specification
Power Adapter	1	i5-8250U suggested use 12V 5A
		i7-8550U suggested use 12V 7.5A
Power Cord	1	
CD Driver	1	Neutral

Order Information

Configuration one	GEC-51N15/i5	Intel Core i5 8250U	Standard Port
Configuration two		Intel Core i7 8550U	Standard Port