

FIRE8000X

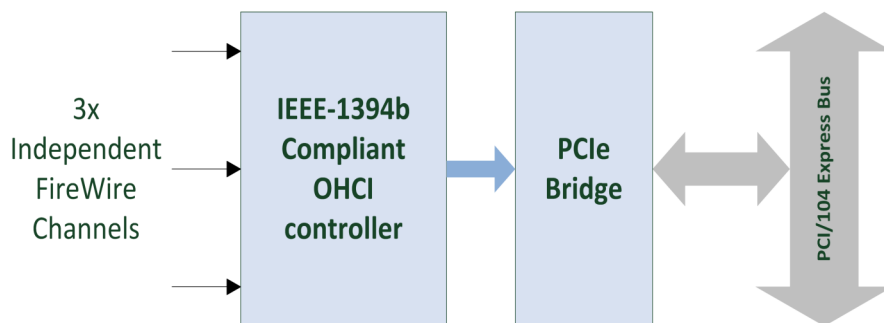
3 Port 800Mbit IEEE-1394b FireWire Controller



**Advanced Micro
Peripherals**

THE EMBEDDED VIDEO EXPERTS

The FIRE8000X is a 3 channel IEEE-1394b FireWire™ controller card for PCI/104-Express systems. The IEEE-1394b controller is OHCI compliant that supports all IEEE-1394b device speeds. The FIRE8000X is an ideal way to add FireWire devices to a PCI/104-Express system.



FIRE8000X Functional Diagram

The FIRE8000X provides 3 independent channel and each channel is capable of operating at 100/200/400 or 800Mbit/s. The Fire8000X uses bilingual IEEE-1394b connectors allowing IEEE-1394a and IEEE-1394b devices to be connected.

The FIRE8000X is supported by drivers for Windows and Linux.

Rev A.00

Subject to change without notification

Advanced Micro Peripherals Ltd
Cambridge, CB6 2HY, England
Tel (+44) 1353 659500
Fax (+44) 1353 659600
sales@amp ltd.com
<http://www.amp ltd.com>

Advanced Micro Peripherals Inc
New York, NY10016, USA
Tel (+1) 212 951 7205
Fax (+1) 212 951 7206
sales@amp-usa.com
<http://www.amp-usa.com>

**3 Independent
Channels**

IEEE-1394b

bilingual

connectors



FIRE8000X

3 Port 800Mbit IEEE-1394b FireWire Controller



**Advanced Micro
Peripherals**

THE EMBEDDED VIDEO EXPERTS

Features

IEEE-1394 OHCI FireWire Host Controller

3 independent channels

Bilingual IEEE-1394b connectors

Single PCIe x1 link using OneBank™ connector

Robust PC/104-Express construction

Single +5V operation

Supported as standard by Windows and Linux

Applications

Automobiles

Military and Aerospace vehicles

Networking

IIDC (Instrumentation and Industrial Digital Cameras)

Machine Vision

Frame grabber

100/200/400 or

800 Mbit/s

operation

Advanced Micro Peripherals Ltd
Cambridge, CB6 2HY, England
Tel (+44) 1353 659500
Fax (+44) 1353 659600
sales@amp ltd.com
<http://www.amp ltd.com>

Advanced Micro Peripherals Inc
New York, NY10016, USA
Tel (+1) 212 951 7205
Fax (+1) 212 951 7206
sales@amp-usa.com
<http://www.amp-usa.com>



Host Interface

Single x1 PCI Express Link using PCIe104 OneBank connector
PCIe Gen 2.0

IEEE1394b FireWire™

3 independent channels
3 universal 1394b bilingual connectors
Support for 100/200/400/800Mbit operation on all channels

Software

Supported as standard by OHCI FireWire drivers included with modern operating systems (Windows, Linux)

Miscellaneous

Standard 3.6 x 3.8in PCI/104-Express form factor
Controller user single +5V supply
External +12V power input for powering FireWire devices.
Operating temp 0°C to 60°C
Operating temp -40°C to +85°C (extended temp option)
PCI-104 pass-through (optional)

Ordering Information

FIRE8000X

3-port FireWire controller (0 to 60°C)

FIRE8000X-EXT

3-port FireWire controller (-40°C to +85°C)



FIRE8000X